



Design. Build. Different.

STANDARD TRIM GUIDE



www.ostrostructures.com





7821 CLARKS MILL ROAD
LOUISVILLE, GA. 30434
PHONE: 844-GO-OSTRO
FAX: 478-625-3261

TRIM GUIDE

PBR PANEL TRIM CONTENTS

PART#	DESCRIPTION	AVAILABLE LENGTHS:
OST-10	J-TRIM W/ GUTTER	14'-6"; 20'-2"
OST-11	J-TRIM	14'-6"; 20'-2"
OST-12	J-TRIM WIDE	14'-6"; 20'-2"
OST-13	HEAD TRIM W/ DRIP	14'-6"; 20'-2"
OST-14	J-TRIM OPEN	14'-6"; 20'-2"
OST-15	8" CAP TRIM	14'-6"; 20'-2"
OST-16	10" CAP TRIM	14'-6"; 20'-2"
OST-17	KNEE WALL TRANSITION	14'-6"; 20'-2"
OST-18	BASE TRIM	14'-6"; 20'-2"
OST-19	WAINSCOT SPLICE TRIM	14'-6"; 20'-2"
OST-20	OUTSIDE CORNER TRIM	14'-6"
OST-21	INSIDE CORNER TRIM	14'-6"; 20'-2"
OST-22	BOX SILL W/ SOFFIT	14'-6"; 20'-2"
OST-23	SILL W/ SOFFIT	14'-6"; 20'-2"
OST-24	SOFFIT TRIM	14'-6"; 20'-2"
OST-25	2" x 2" INSIDE ANGLE TRIM	14'-6"; 20'-2"
OST-26	4" x 4" OUTSIDE ANGLE TRIM	14'-6"; 20'-2"
OST-27	INSIDE RIDGE TRIM	14'-6"; 20'-2"
OST-28	6" x 6" INSIDE ANGLE TRIM	14'-6"; 20'-2"

PBR PANEL TRIM CONTENTS

PART#	DESCRIPTION	AVAILABLE LENGTHS:
OST-29	6" x 6" INSIDE ANGLE TRIM	14'-6"; 20'-2"
OST-30	10" PURLIN PARTITION TRIM	14'-6"; 20'-2"
OST-31	8" PURLIN PARTITION TRIM	14'-6"; 20'-2"
OST-32	6" EXPANSION CAP	14'-6"; 20'-2"
OST-33	10" EXPANSION CAP	14'-6"; 20'-2"
OST-34	SIMPLE EAVE TRIM	14'-6"; 20'-2"
OST-35	TRANSITION TRIM	14'-6"; 20'-2"
OST-36	PBR HANG-ON GUTTER	14'-6"; 20'-2"
OST-37	GUTTER STRAP	N/A
OST-38	HI-SIDE EAVE TRIM	14'-6"; 20'-2"
OST-39	PBR RAKE TRIM	14'-6"; 20'-2"
OST-40	CORNER BOX	N/A
OST-41	HI-SIDE CORNER BOX	N/A
OST-42	GUTTER END	N/A
OST-43	RAKE END	N/A
OST-44	PEAK BOX	N/A
OST-45	VALLEY TRIM	14'-6"; 20'-2"
OST-46	FLAT RIDGE CAP	14'-6"; 20'-2"
OST-47	PBR DIE-FORMED RIDGE CAP	N/A

PBR PANEL TRIM CONTENTS

PART#	DESCRIPTION	AVAILABLE LENGTHS:
OST-48	4" x 5 1/2" ROLL-FORMED DOWNSPOUT	14'-6"
OST-49	4" x 5 1/2" ROLL-FORMED DOWNSPOUT 72° KICK	N/A
OST-50	3" x 4 1/4" ROLL-FORMED DOWNSPOUT	14'-6"
OST-51	3" x 4 1/4" ROLL-FORMED DOWNSPOUT 72° KICK	N/A
OST-52	DOWNSPOUT STRAP	N/A
OST-53	PARAPET RAKE TRIM	14'-6"; 20'-2"
OST-54	LINER PANEL CAP TRIM	14'-6"; 20'-2"

SS PANEL TRIM CONTENTS

PART#	DESCRIPTION	AVAILABLE LENGTHS:
OST-100	OFFSET PANEL EAVE TRIM	14'-6"; 20'-2"
OST-101	PARAPET HI-EAVE	14'-6"; 20'-2"
OST-102	PARAPET RAKE	14'-6"; 20'-2"
OST-103	SS HI-SIDE EAVE TRIM	14'-6"; 20'-2"
OST-104	SS RAKE TRIM	14'-6"; 20'-2"
OST-105	SS RAKE SLIDE	14'-6"; 20'-2"
OST-106	SS CORNER BOX	N/A
OST-107	SS PEAK BOX	N/A
OST-108	SS HI-SIDE CORNER BOX	N/A
OST-109	SS HANG-ON GUTTER	14'-6"; 20'-2"
OST-110	RIDGE END CAP	N/A
OST-111	SS GUTTER END	N/A
OST-112	SS RAKE END	N/A
OST-113	SS GUTTER STRAP	N/A
OST-114	SS FLOATING RIDGE CAP	14'-6"; 20'-2"
OST-115	SS REPAIR CAP	14'-6"; 20'-2"
OST-116	TERMINATION TRIM	14'-6"; 20'-2"

DETAILER: DU

CHECKER: JG

DATE: APRIL 2024



7821 CLARKS MILL ROAD
LOUISVILLE, GA. 30434
PHONE: 844-GO-OSTRO
FAX: 478-625-3261

PART#:

OST-10

WEIGHT/FT

SIZE

MATERIAL

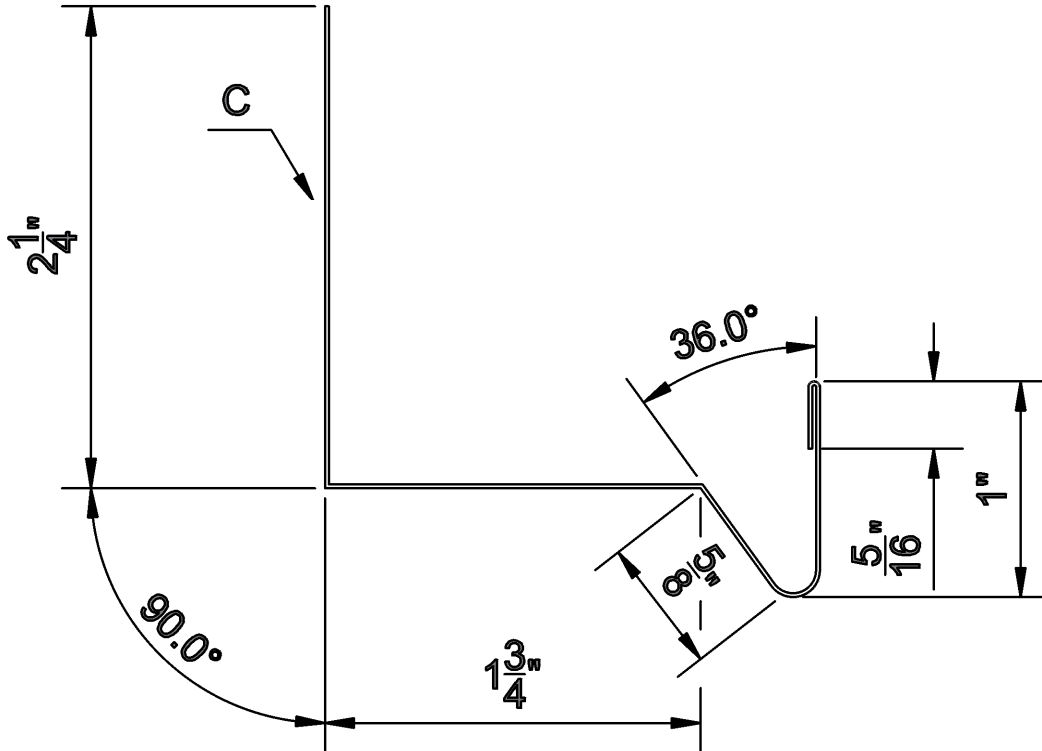
DESCRIPTION

0.40 lbs.

6 3/8"

26 ga.

J-TRIM W/ GUTTER



REVISIONS

KEY USES

FO HEADER

DETAILER: DU

CHECKER: JG

DATE: APRIL 2024



7821 CLARKS MILL ROAD
LOUISVILLE, GA. 30434
PHONE: 844-GO-OSTRO
FAX: 478-625-3261

PART#:

OST-11

WEIGHT/FT

SIZE

MATERIAL

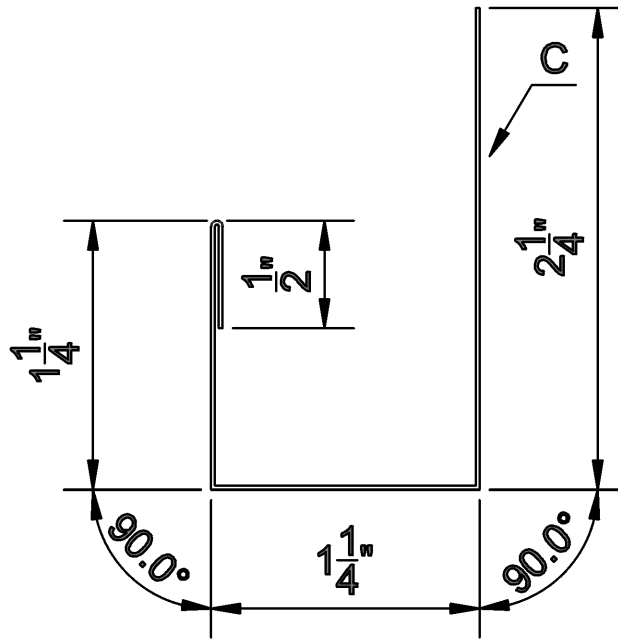
DESCRIPTION

0.34 lbs

5 1/4"

26 ga.

J-TRIM



REVISIONS

KEY USES

FO SILL W/O INSUL.
LINER PANEL
SILL/HEADER W/O INSUL.

DETAILER: DU

CHECKER: JG

DATE: APRIL 2024



7821 CLARKS MILL ROAD
LOUISVILLE, GA. 30434
PHONE: 844-GO-OSTRO
FAX: 478-625-3261

PART#:

OST-12

WEIGHT/FT

SIZE

MATERIAL

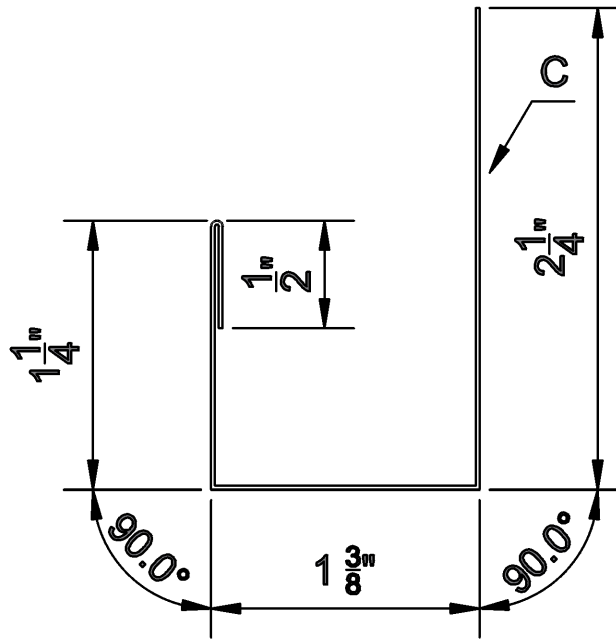
DESCRIPTION

0.35 lbs

5 3/8"

26 ga.

J-TRIM WIDE



REVISIONS

KEY USES

FO SILL W/ INSUL.
LINER PANEL
SILL/HEADER W/ INSUL.

DETAILER: DU

CHECKER: JG

DATE: APRIL 2024



7821 CLARKS MILL ROAD
LOUISVILLE, GA. 30434
PHONE: 844-GO-OSTRO
FAX: 478-625-3261

PART#:

OST-13

WEIGHT/FT

SIZE

MATERIAL

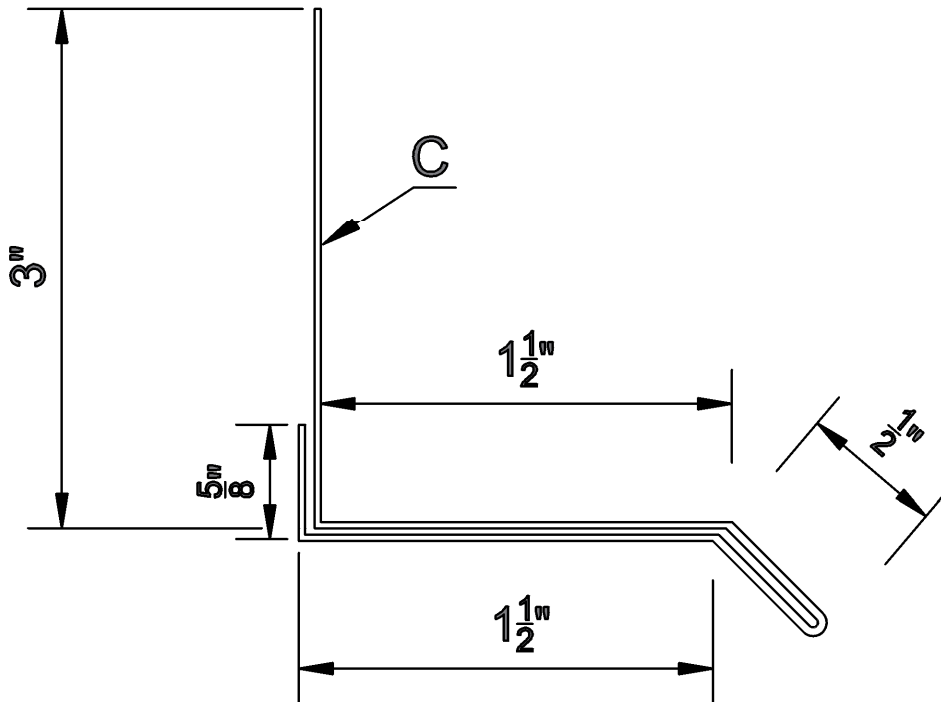
DESCRIPTION

0.49 lbs

7 5/8"

26 ga.

HEAD TRIM W/ DRIP



REVISIONS

KEY USES

FO HEADER

DETAILER: DU

CHECKER: JG

DATE: APRIL 2024



7821 CLARKS MILL ROAD
LOUISVILLE, GA. 30434
PHONE: 844-GO-OSTRO
FAX: 478-625-3261

PART#:

OST-14

WEIGHT/FT

SIZE

MATERIAL

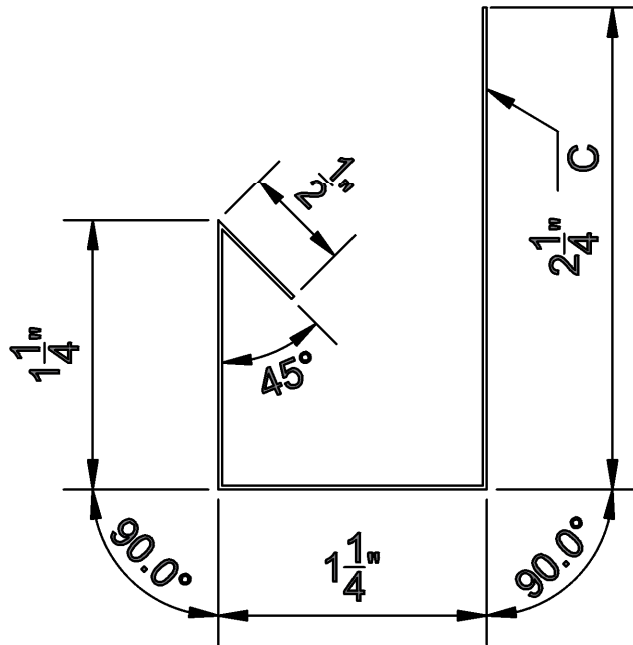
DESCRIPTION

0.34 lbs

5 1/4"

26 ga.

J-TRIM OPEN



REVISIONS

KEY USES

- FO JAMBS
- LINER PANEL JAMBS

DETAILER: DU

CHECKER: JG

DATE: APRIL 2024



7821 CLARKS MILL ROAD
LOUISVILLE, GA. 30434
PHONE: 844-GO-OSTRO
FAX: 478-625-3261

PART#:

OST-15

WEIGHT/FT

SIZE

MATERIAL

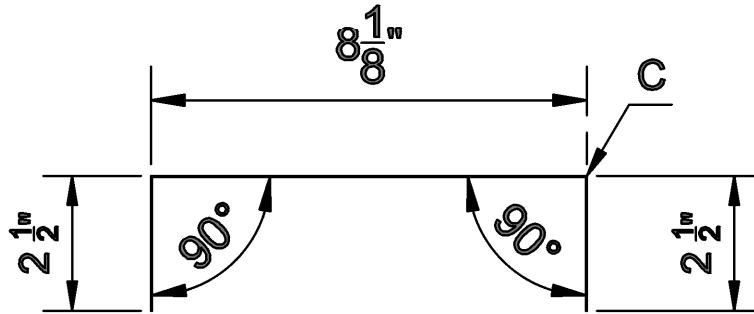
DESCRIPTION

0.85 lbs.

13 1/8"

26 ga.

8" CAP TRIM



REVISIONS

KEY USES

FO COVER

DETAILER: DU

CHECKER: JG

DATE: APRIL 2024



7821 CLARKS MILL ROAD
LOUISVILLE, GA. 30434
PHONE: 844-GO-OSTRO
FAX: 478-625-3261

PART#:

OST-16

WEIGHT/FT

SIZE

MATERIAL

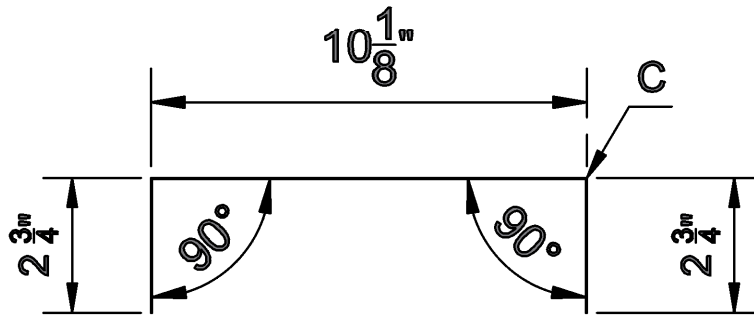
DESCRIPTION

1.01 lbs.

15 5/8"

26 ga.

10" CAP TRIM



REVISIONS

KEY USES

FO COVER

DETAILER: DU

CHECKER: JG

DATE: APRIL 2024



7821 CLARKS MILL ROAD
LOUISVILLE, GA. 30434
PHONE: 844-GO-OSTRO
FAX: 478-625-3261

PART#:

OST-17

WEIGHT/FT

SIZE

MATERIAL

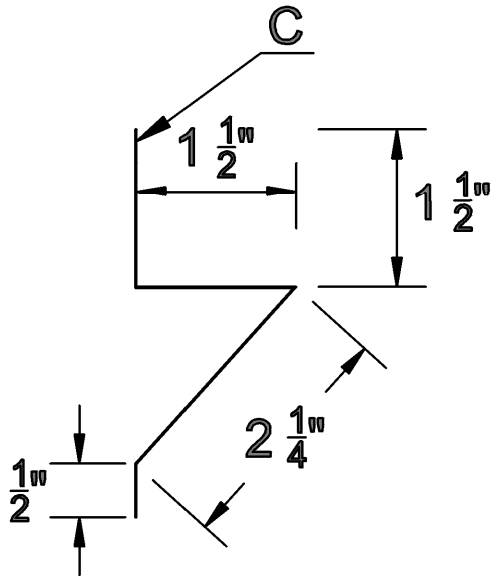
DESCRIPTION

0.37 lbs.

5 3/4"

26 ga.

KNEE WALL TRANSITION



REVISIONS

KEY USES

PANEL TO KNEE WALL

DETAILER: DU

CHECKER: JG

DATE: APRIL 2024



7821 CLARKS MILL ROAD
LOUISVILLE, GA. 30434
PHONE: 844-GO-OSTRO
FAX: 478-625-3261

PART#:

OST-18

WEIGHT/FT

SIZE

MATERIAL

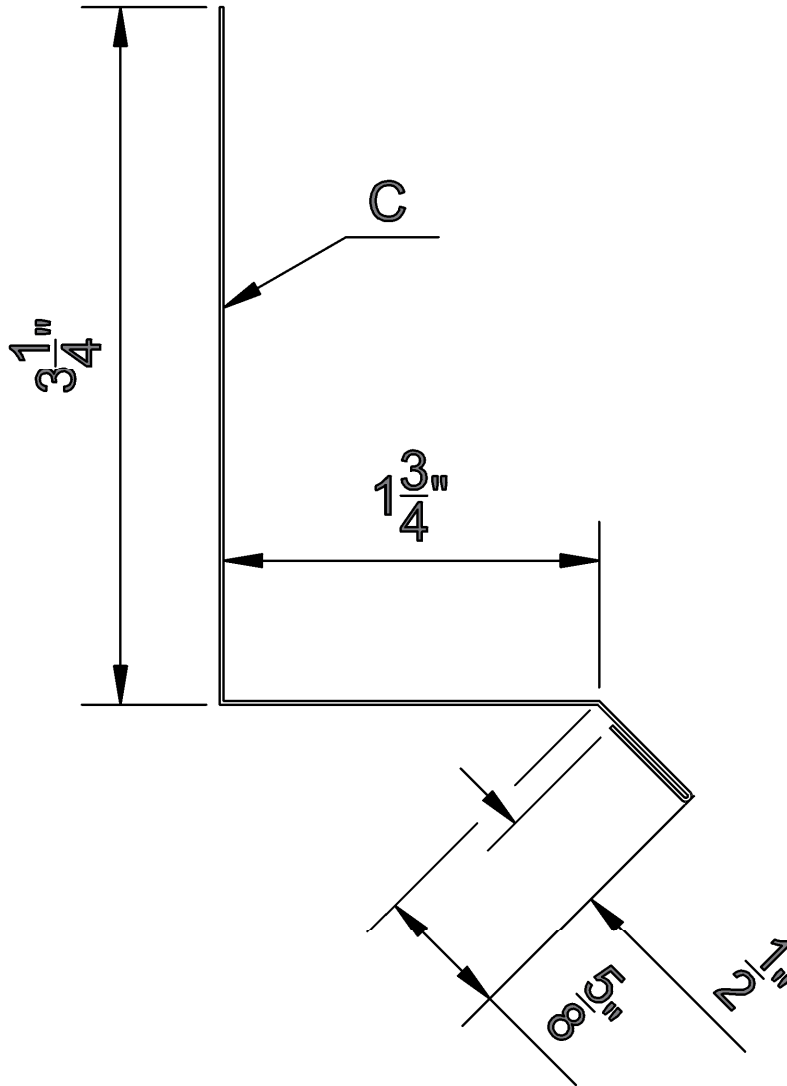
DESCRIPTION

0.40 lbs

6 1/8"

26 ga.

BASE TRIM



REVISIONS

KEY USES

BASE

DETAILER: DU

CHECKER: JG

DATE: APRIL 2024



7821 CLARKS MILL ROAD
LOUISVILLE, GA. 30434
PHONE: 844-GO-OSTRO
FAX: 478-625-3261

PART#:

OST-19

WEIGHT/FT

SIZE

MATERIAL

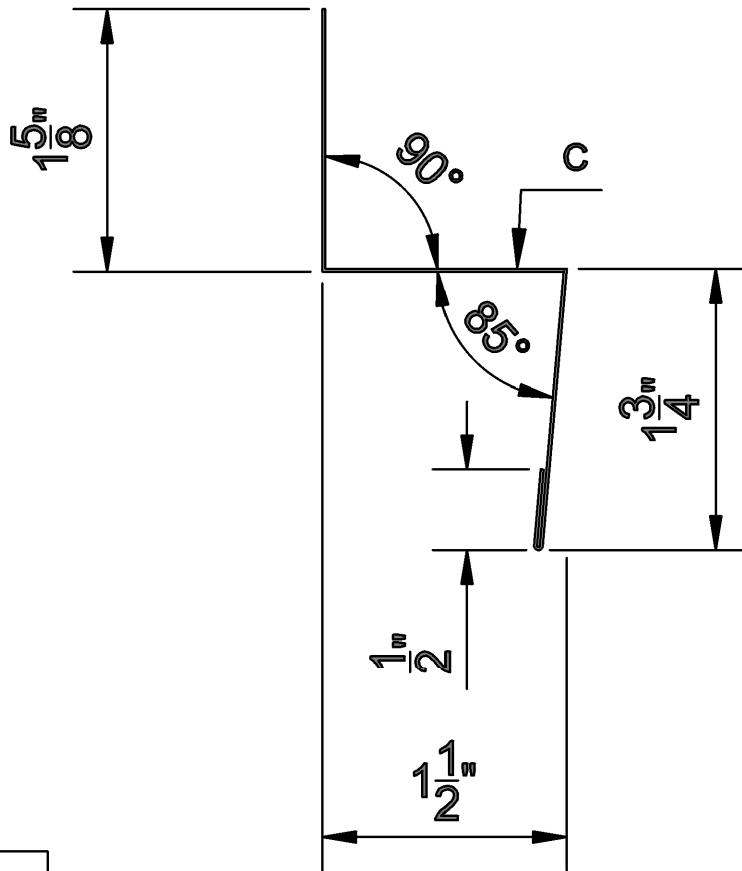
DESCRIPTION

0.35 lbs

5 3/8"

26 ga.

WAINSCOT SPLICE TRIM



REVISIONS

KEY USES

WAINSCOT TRANSITION

DETAILER: DU

CHECKER: JG

DATE: APRIL 2024



7821 CLARKS MILL ROAD
LOUISVILLE, GA. 30434
PHONE: 844-GO-OSTRO
FAX: 478-625-3261

PART#:

OST-20

WEIGHT/FT

SIZE

MATERIAL

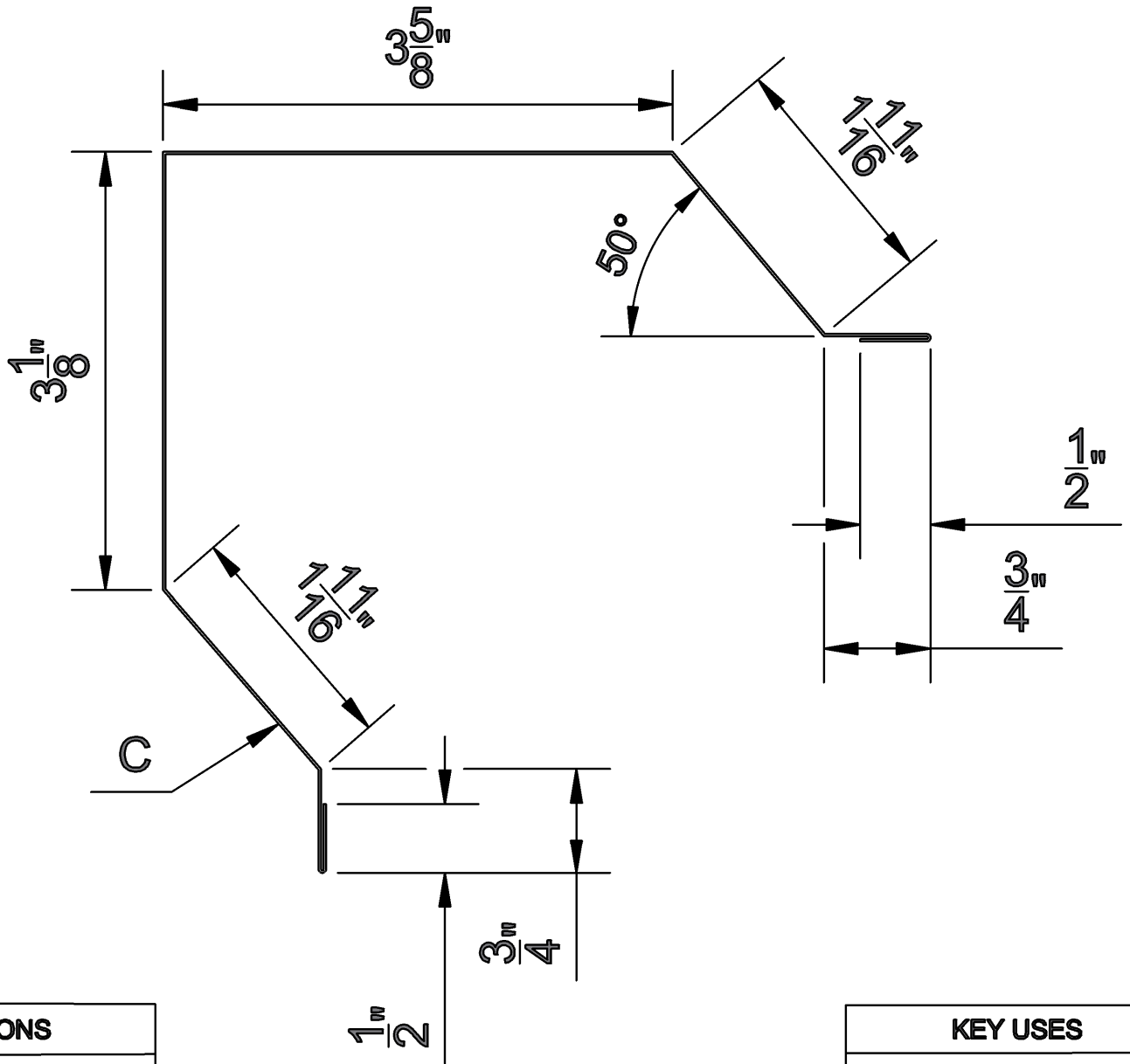
DESCRIPTION

0.82 lbs

12 5/8"

26 ga.

OUTSIDE CORNER TRIM



REVISIONS

KEY USES

PBR OS CORNER

DETAILER: DU

CHECKER: JG

DATE: APRIL 2024



7821 CLARKS MILL ROAD
LOUISVILLE, GA. 30434
PHONE: 844-GO-OSTRO
FAX: 478-625-3261

PART#:

OST-21

WEIGHT/FT

SIZE

MATERIAL

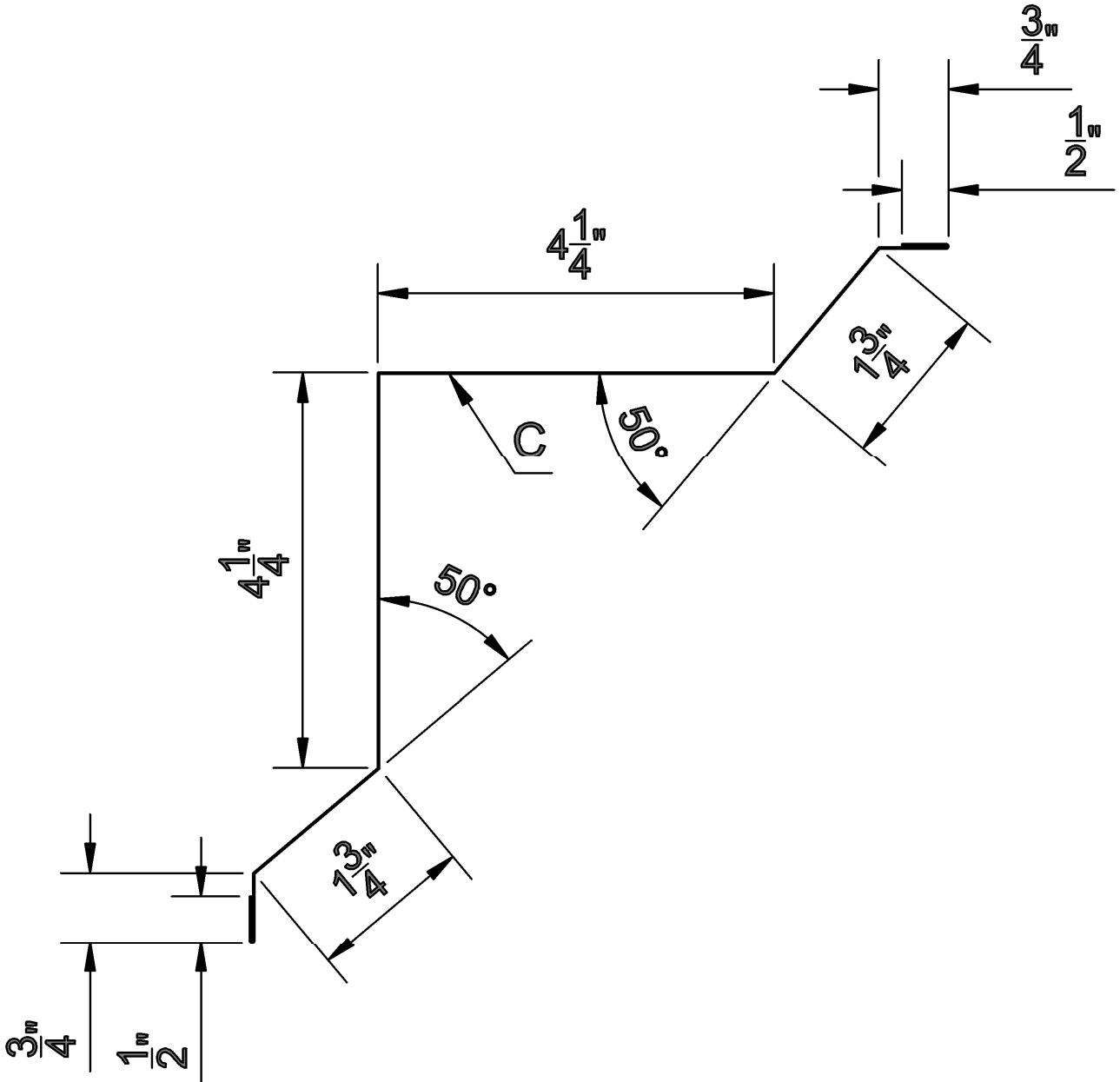
DESCRIPTION

0.94 lbs

14 1/2"

26 ga.

INSIDE CORNER TRIM



REVISIONS

KEY USES

PBR IS CORNERS

LINER PANEL IS CORNERS

DETAILER: DU

CHECKER: JG

DATE: APRIL 2024



7821 CLARKS MILL ROAD
LOUISVILLE, GA. 30434
PHONE: 844-GO-OSTRO
FAX: 478-625-3261

PART#:

OST-22

WEIGHT/FT

SIZE

MATERIAL

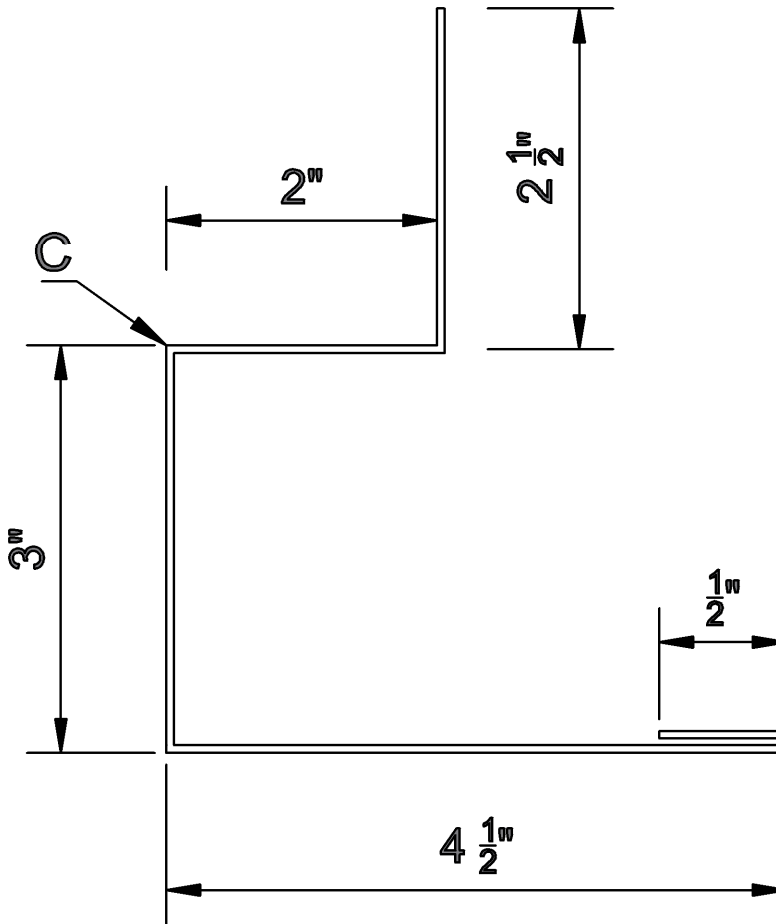
DESCRIPTION

0.81 lbs

12 1/2"

26 ga.

BOX SILL W/ SOFFIT



REVISIONS

KEY USES

PBR WALL WITH SOFFIT

FW WALL WITH SOFFIT

DETAILER: DU

CHECKER: JG

DATE: APRIL 2024



7821 CLARKS MILL ROAD
LOUISVILLE, GA. 30434
PHONE: 844-GO-OSTRO
FAX: 478-625-3261

PART#:

OST-23

WEIGHT/FT

SIZE

MATERIAL

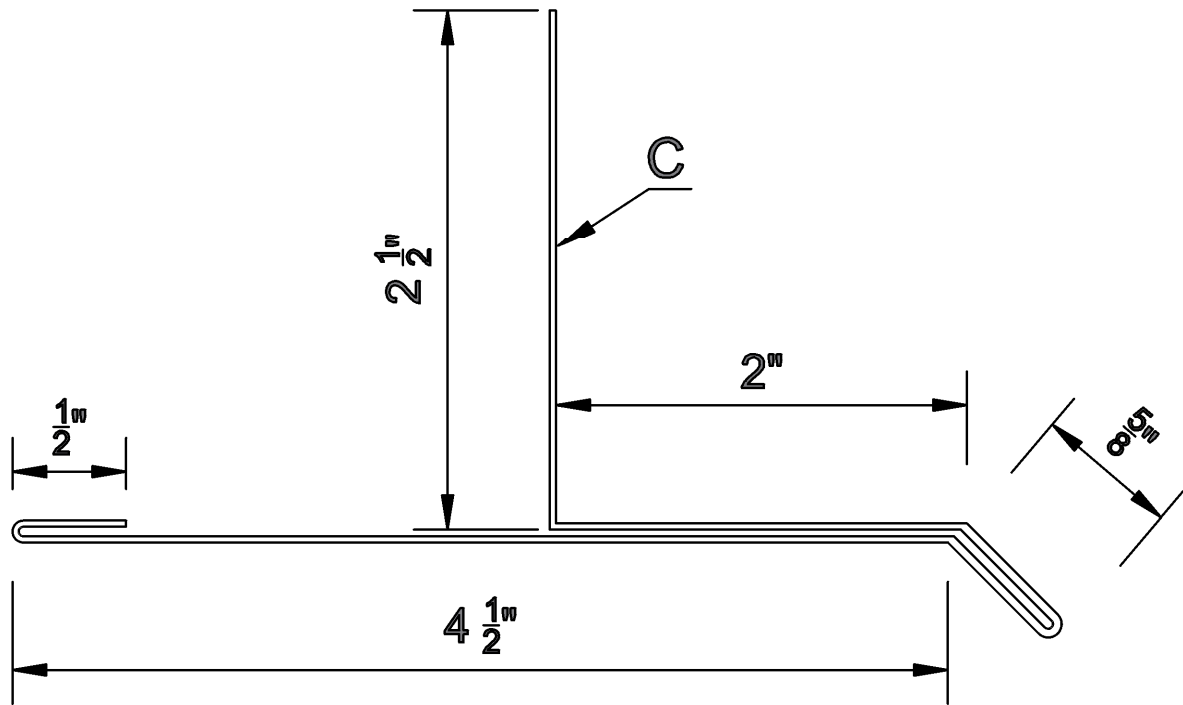
DESCRIPTION

0.70 lbs

10 3/4"

26 ga.

SILL W/ SOFFIT



REVISIONS

KEY USES

PBR WALL WITH SOFFIT

FW WALL WITH SOFFIT

DETAILER: DU

CHECKER: JG

DATE: APRIL 2024



7821 CLARKS MILL ROAD
LOUISVILLE, GA. 30434
PHONE: 844-GO-OSTRO
FAX: 478-625-3261

PART#:

OST-24

WEIGHT/FT

SIZE

MATERIAL

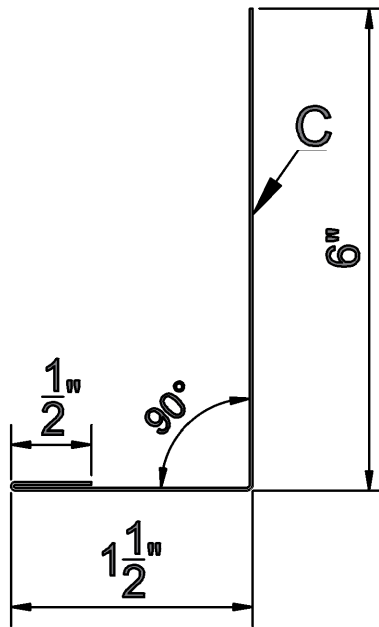
DESCRIPTION

0.52 lbs

8"

26 ga.

SOFFIT TRIM



REVISIONS

KEY USES

PBR

PBR-REV

FW

DETAILER: DU

CHECKER: JG

DATE: APRIL 2024



7821 CLARKS MILL ROAD
LOUISVILLE, GA. 30434
PHONE: 844-GO-OSTRO
FAX: 478-625-3261

PART#:

OST-25

WEIGHT/FT

SIZE

MATERIAL

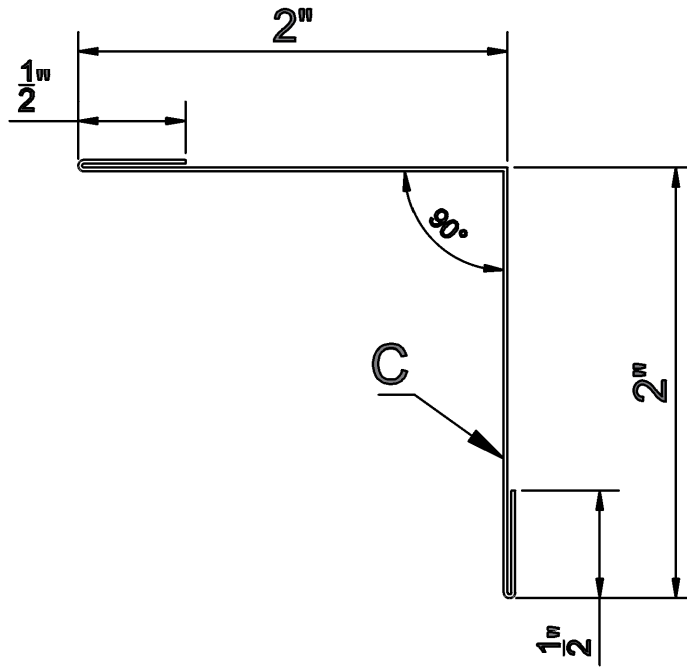
DESCRIPTION

0.32 lbs

5"

26 ga.

2" X 2" IS ANGLE TRIM



REVISIONS

KEY USES

SOFFIT

DETAILER: DU

CHECKER: JG

DATE: APRIL 2024



7821 CLARKS MILL ROAD
LOUISVILLE, GA. 30434
PHONE: 844-GO-OSTRO
FAX: 478-625-3261

PART#:

OST-26

WEIGHT/FT

SIZE

MATERIAL

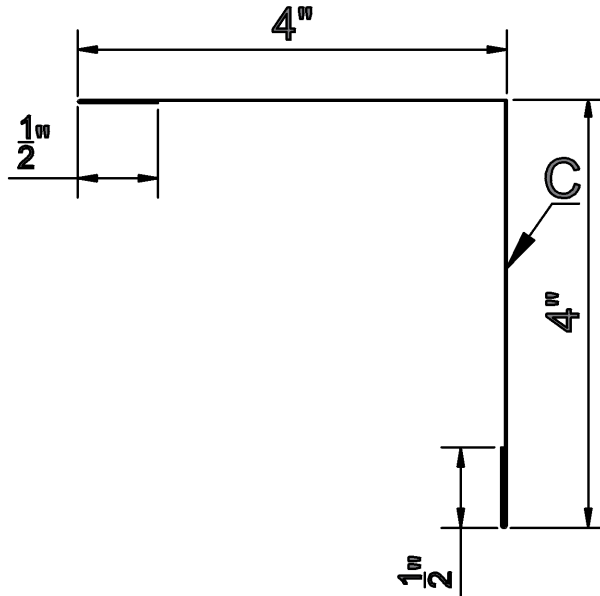
DESCRIPTION

0.58 lbs

9"

26 ga.

4" X 4" OS ANGLE TRIM



REVISIONS

KEY USES

SOFFIT

DETAILER: DU

CHECKER: JG

DATE: APRIL 2024



7821 CLARKS MILL ROAD
LOUISVILLE, GA. 30434
PHONE: 844-GO-OSTRO
FAX: 478-625-3261

PART#:

OST-27

WEIGHT/FT

SIZE

MATERIAL

DESCRIPTION

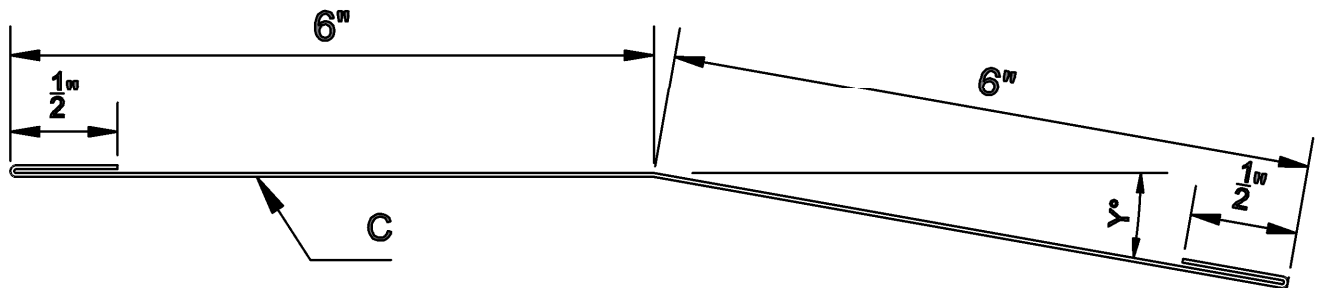
0.84 lbs

13"

26 ga.

IS RIDGE TRIM

ROOF PITCH	DEGREES
X:12	Y°
½:12	4.77°
1:12	9.53°
2:12	18.92°
3:12	28.07°
4:12	36.87°



REVISIONS

KEY USES

LINER PANEL

SOFFIT PANEL

DETAILER: DU

CHECKER: JG

DATE: APRIL 2024



7821 CLARKS MILL ROAD
LOUISVILLE, GA. 30434
PHONE: 844-GO-OSTRO
FAX: 478-625-3261

PART#:

OST-28

WEIGHT/FT

SIZE

MATERIAL

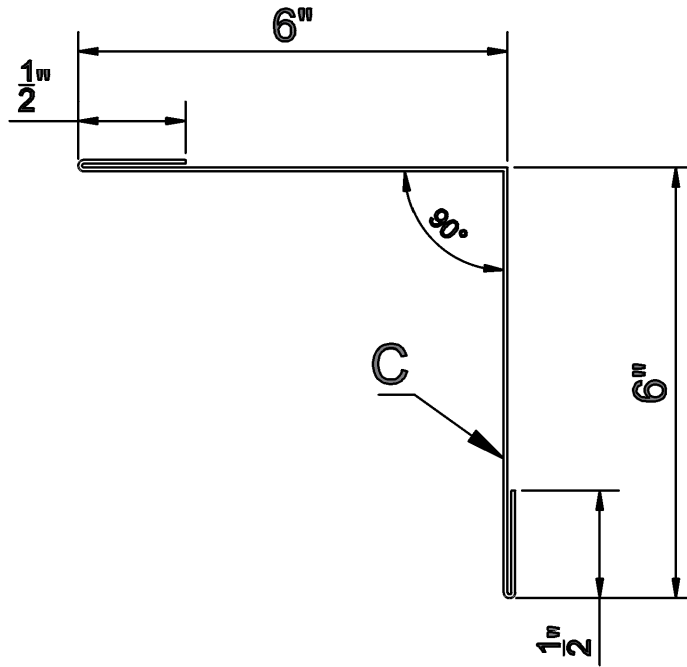
DESCRIPTION

0.84 lbs

13"

26 ga.

6" x 6" IS ANGLE TRIM



REVISIONS

KEY USES

PBR-REV IS CORNER

FW IS CORNER

DETAILER: DU

CHECKER: JG

DATE: APRIL 2024



7821 CLARKS MILL ROAD
LOUISVILLE, GA. 30434
PHONE: 844-GO-OSTRO
FAX: 478-625-3261

PART#:

OST-29

WEIGHT/FT

SIZE

MATERIAL

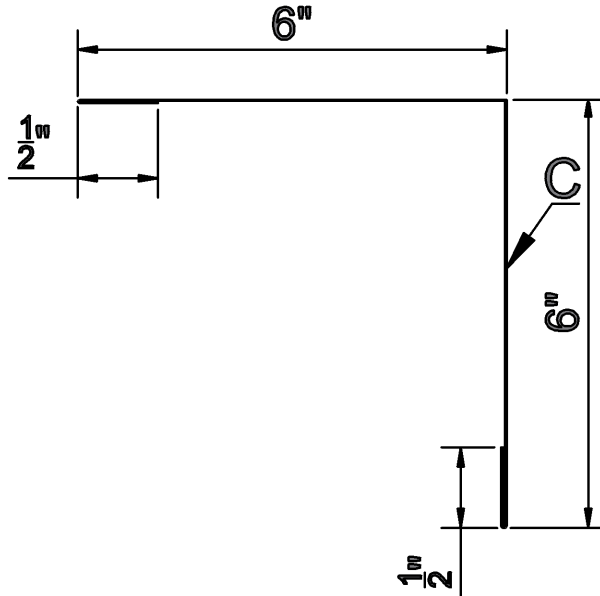
DESCRIPTION

0.84 lbs

13"

26 ga.

6" x 6" OS ANGLE



REVISIONS

KEY USES

PBR-REV OS CORNER

FW OS CORNER

DETAILER: DU

CHECKER: JG

DATE: APRIL 2024



7821 CLARKS MILL ROAD
LOUISVILLE, GA. 30434
PHONE: 844-GO-OSTRO
FAX: 478-625-3261

PART#:

OST-30

WEIGHT/FT

SIZE

MATERIAL

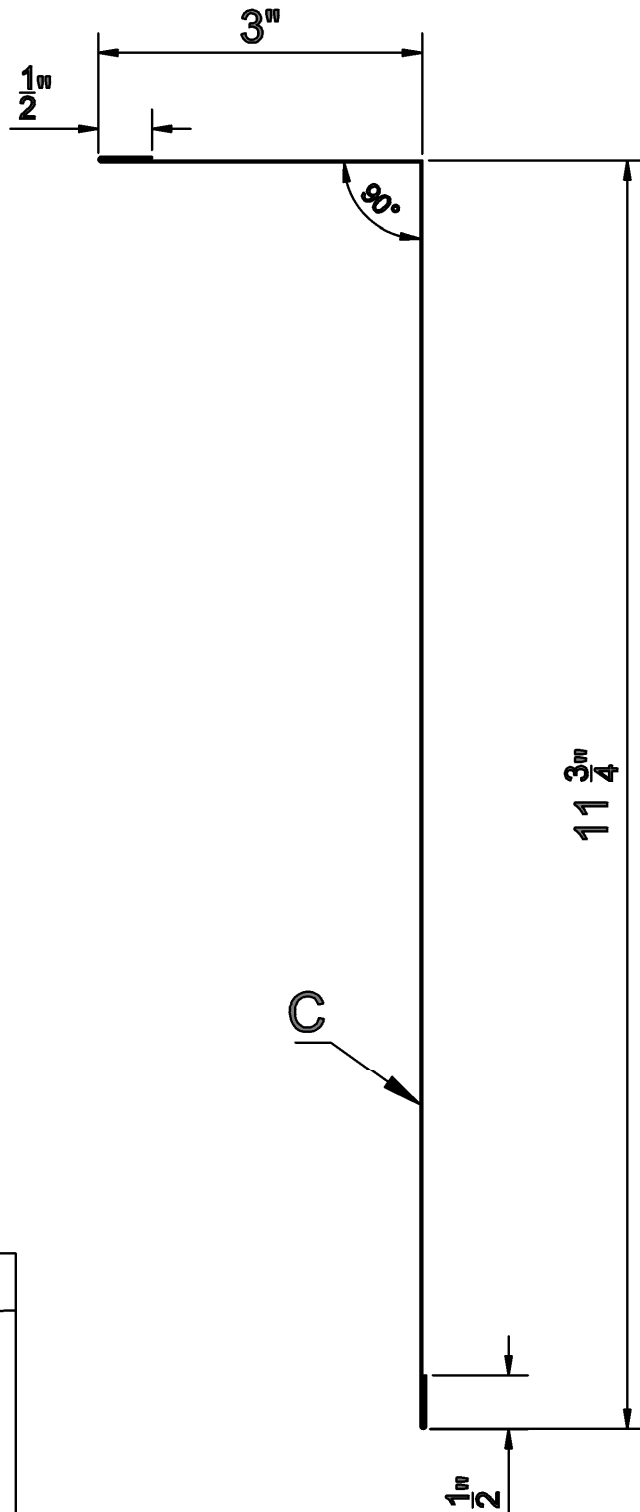
DESCRIPTION

1.02 lbs

15 3/4"

26 ga.

10" PURLIN
PARTITION TRIM



REVISIONS

KEY USES

PARTITION WALL
BETWEEN PURLINS

GABLE EXTENSION
BETWEEN PURLINS

DETAILER: DU

CHECKER: JG

DATE: APRIL 2024



7821 CLARKS MILL ROAD
LOUISVILLE, GA. 30434
PHONE: 844-GO-OSTRO
FAX: 478-625-3261

PART#:

OST-31

WEIGHT/FT

SIZE

MATERIAL

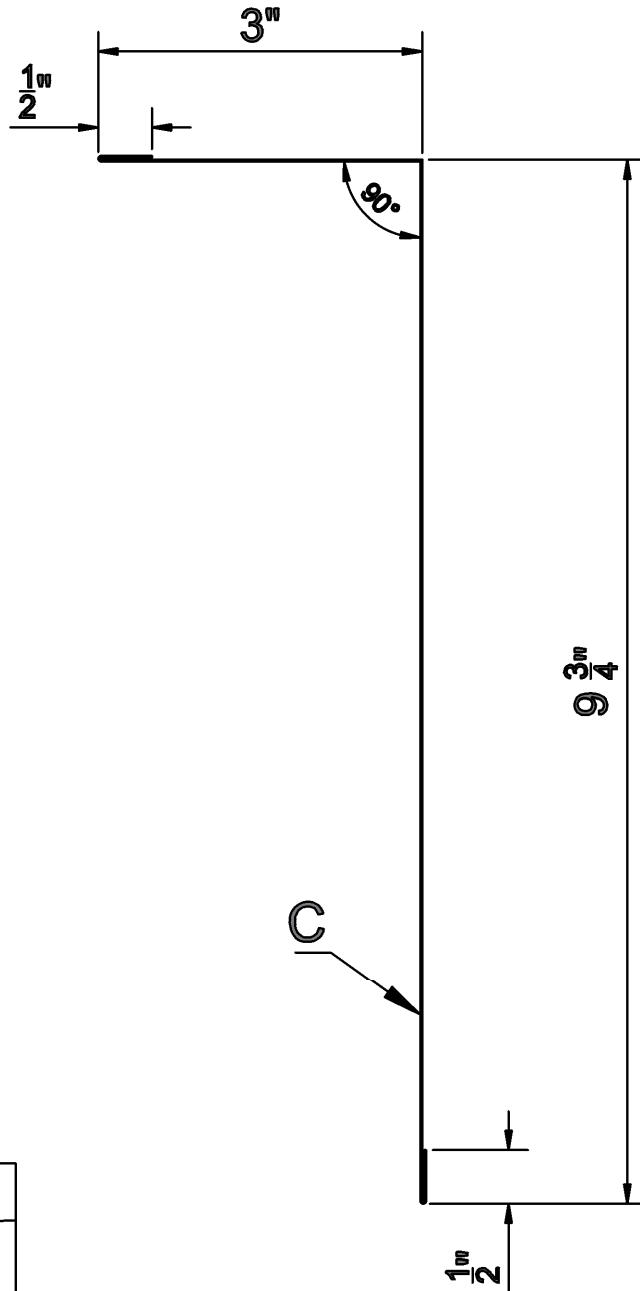
DESCRIPTION

0.89 lbs

13 3/4"

26 ga.

8" PURLIN
PARTITION TRIM



REVISIONS

KEY USES

PARTITION WALL
BETWEEN PURLINS
GABLE EXTENSION
BETWEEN PURLINS

DETAILER: DU

CHECKER: JG

DATE: APRIL 2024



7821 CLARKS MILL ROAD
LOUISVILLE, GA. 30434
PHONE: 844-GO-OSTRO
FAX: 478-625-3261

PART#:

OST-32

WEIGHT/FT

SIZE

MATERIAL

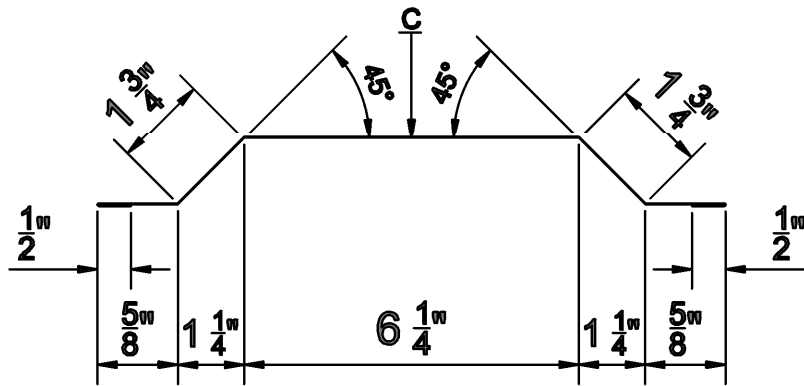
DESCRIPTION

0.78 lbs

12"

26 ga.

6" EXPANSION CAP



REVISIONS

KEY USES

PBR ROOF
EXPANSION JOINT

DETAILER: DU

CHECKER: JG

DATE: APRIL 2024



7821 CLARKS MILL ROAD
LOUISVILLE, GA. 30434
PHONE: 844-GO-OSTRO
FAX: 478-625-3261

PART#:

OST-33

WEIGHT/FT

SIZE

MATERIAL

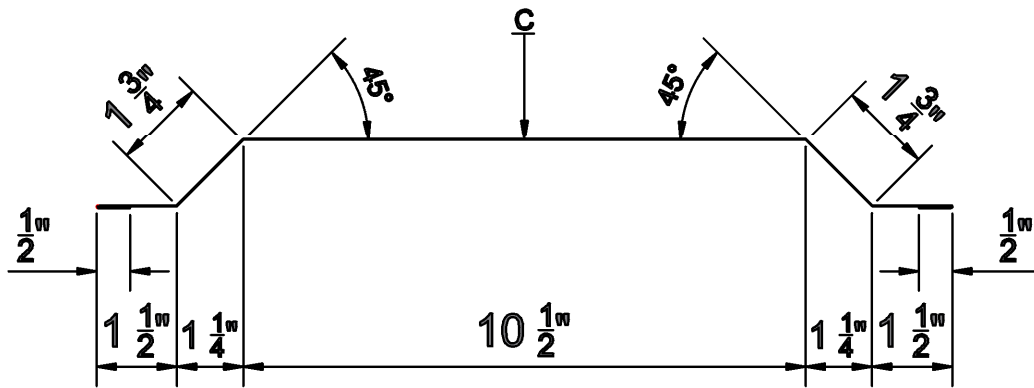
DESCRIPTION

1.17 lbs

18"

26 ga.

10" EXPANSION CAP



REVISIONS

KEY USES

PBR ROOF
EXPANSION JOINT

DETAILER: DU

CHECKER: JG

DATE: APRIL 2024



7821 CLARKS MILL ROAD
LOUISVILLE, GA. 30434
PHONE: 844-GO-OSTRO
FAX: 478-625-3261

PART#:

OST-34

WEIGHT/FT

SIZE

MATERIAL

DESCRIPTION

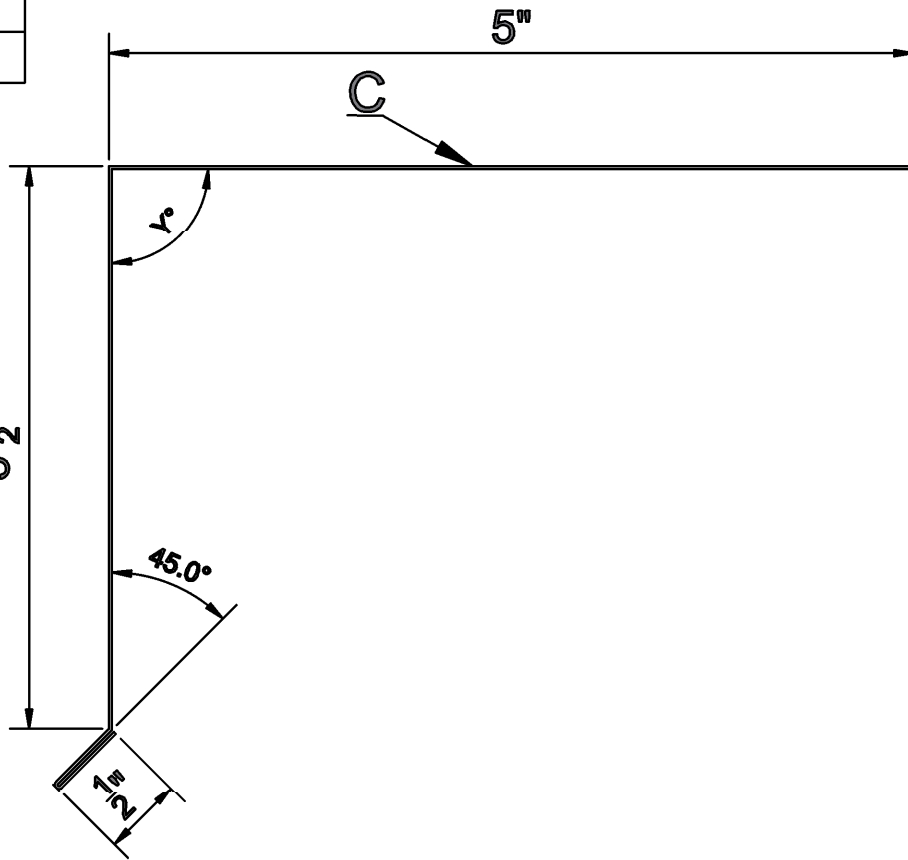
0.65 lbs

9 1/2"

26 ga.

SIMPLE EAVE TRIM

ROOF PITCH	DEGREES
X:12	Y°
1/2:12	92.39°
1:12	94.76°
2:12	99.46°
3:12	104.04°
4:12	108.43°



REVISIONS

KEY USES

PBR ROOF @ EAVE

DETAILER: DU

CHECKER: JG

DATE: APRIL 2024



7821 CLARKS MILL ROAD
LOUISVILLE, GA. 30434
PHONE: 844-GO-OSTRO
FAX: 478-625-3261

PART#:

OST-35

WEIGHT/FT

SIZE

MATERIAL

DESCRIPTION

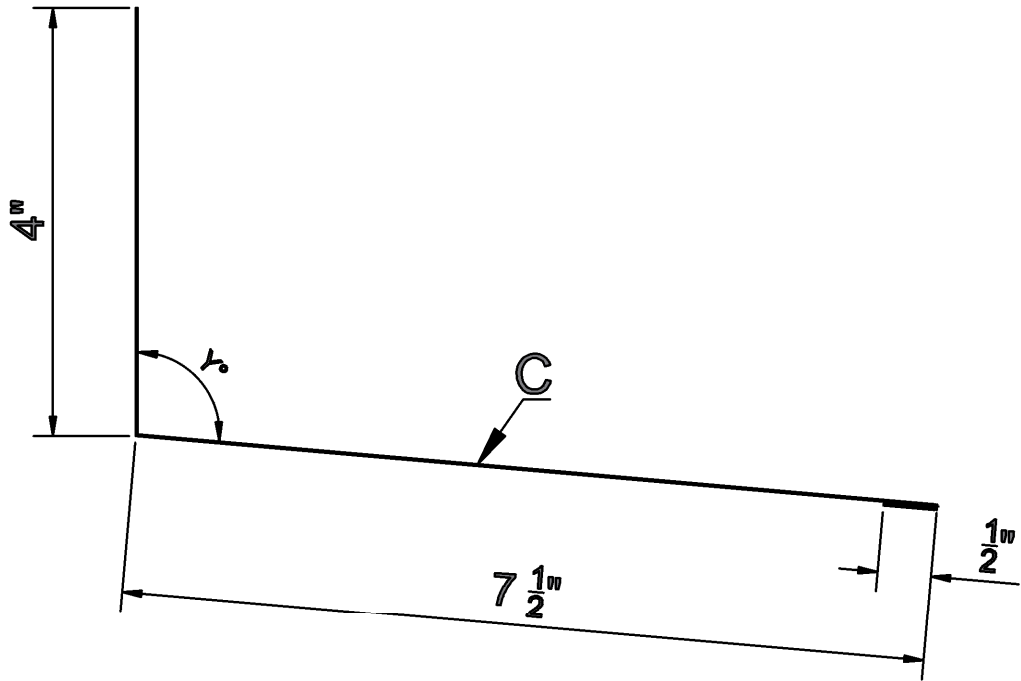
0.78 lbs

12"

26 ga.

TRANSITION TRIM

ROOF PITCH	DEGREES
X:12	Y°
1/2:12	92.39°
1:12	94.76°
2:12	99.46°
3:12	104.04°
4:12	108.43°



REVISIONS

KEY USES

PBR WALL TO ROOF
TRANSITION

DETAILER: DU

CHECKER: JG

DATE: APRIL 2024



7821 CLARKS MILL ROAD
LOUISVILLE, GA. 30434
PHONE: 844-GO-OSTRO
FAX: 478-625-3261

PART#:

OST-36A
OST-36B

WEIGHT/FT

SIZE

MATERIAL

DESCRIPTION

1.35 lbs

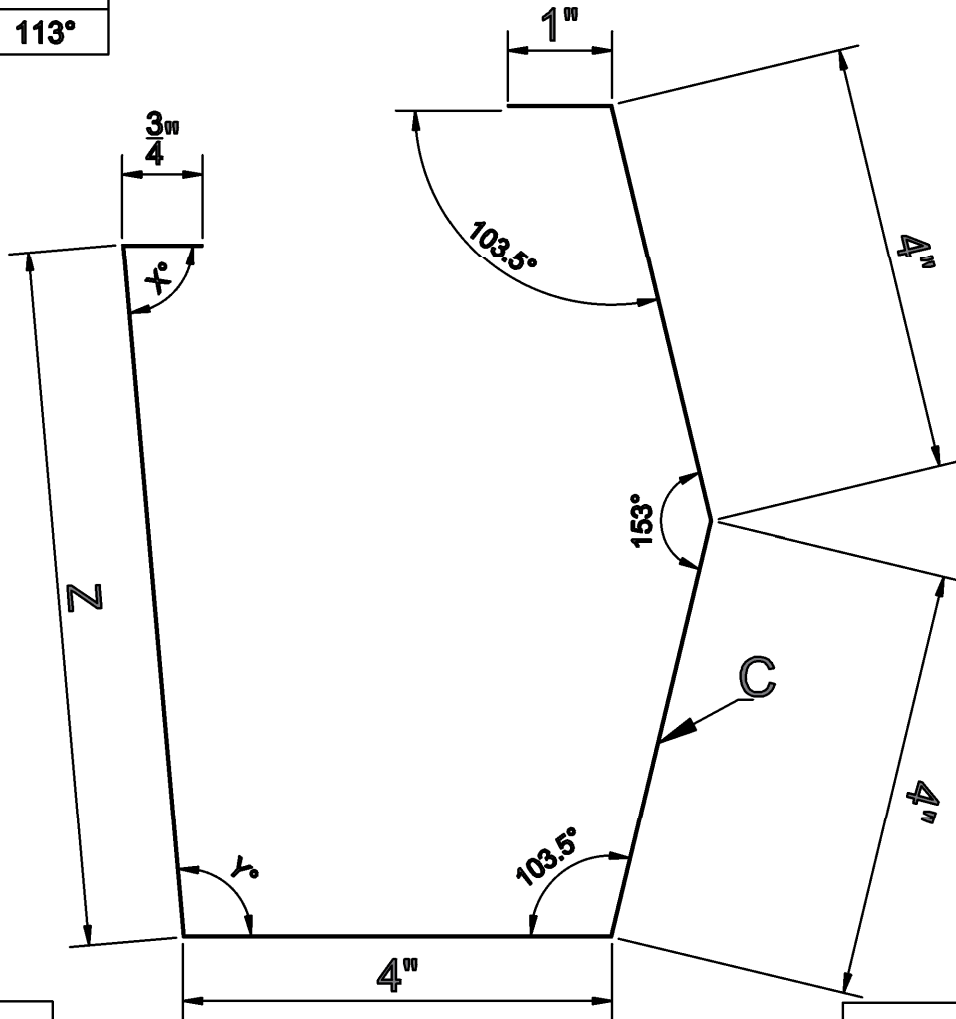
20 1/4" - 20 3/4"

26 ga.

PBR HANG-ON GUTTER

ROOF PITCH	X°	Y°
1/2 :12	88°	92°
1:12	85°	95°
2:12	81°	99°
3:12	76°	104°
4:12	72°	108°
5:12	67°	113°

Z	
A	IF PITCH < 4 1/8:12 Z = 6 1/2"
B	IF PITCH > 4:12 Z = 7"



REVISIONS

KEY USES

PBR ROOF

DETAILER: DU

CHECKER: JG

DATE: APRIL 2024



7821 CLARKS MILL ROAD
LOUISVILLE, GA. 30434
PHONE: 844-GO-OSTRO
FAX: 478-625-3261

PART#:

OST-37

WEIGHT/FT

SIZE

MATERIAL

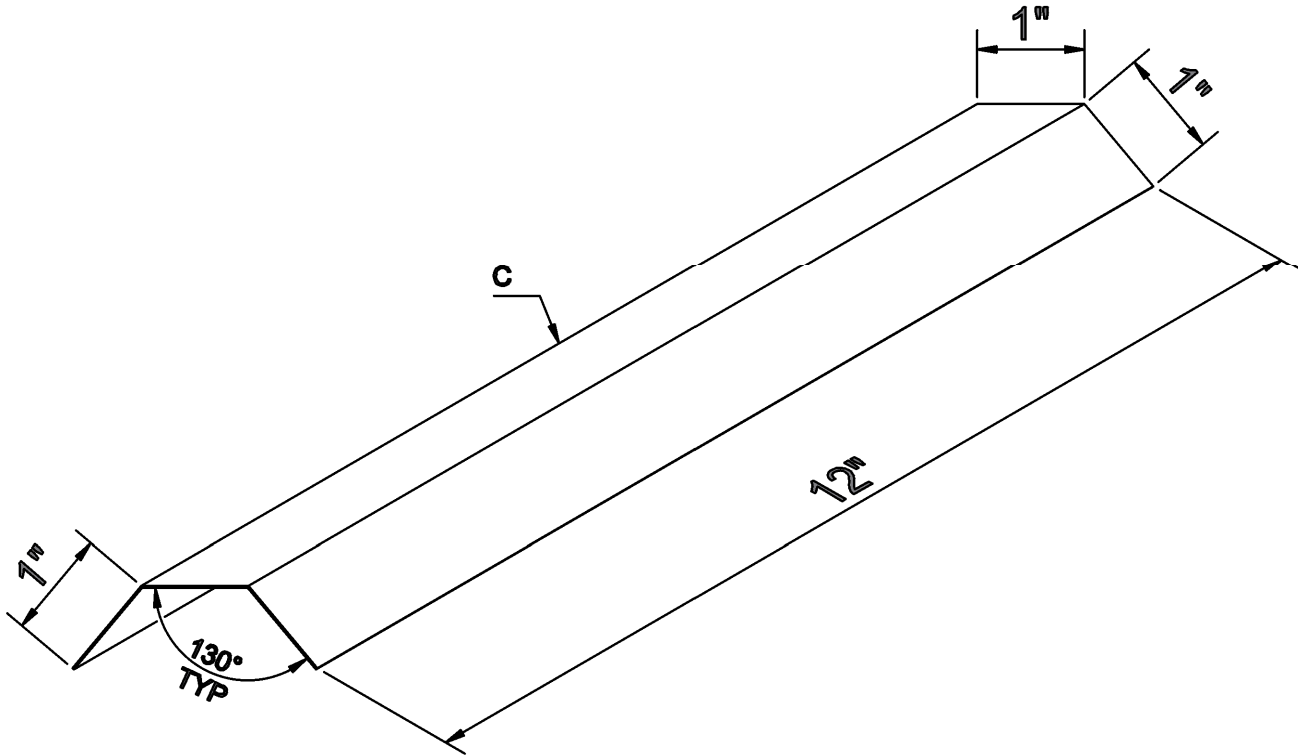
DESCRIPTION

0.19 lbs

3"

26 ga.

GUTTER STRAP



REVISIONS

KEY USES

PBR ROOF WITH GUTTER

DETAILER: DU

CHECKER: JG

DATE: APRIL 2024



7821 CLARKS MILL ROAD
LOUISVILLE, GA. 30434
PHONE: 844-GO-OSTRO
FAX: 478-625-3261

PART#:

OST-38

WEIGHT/FT

SIZE

MATERIAL

DESCRIPTION

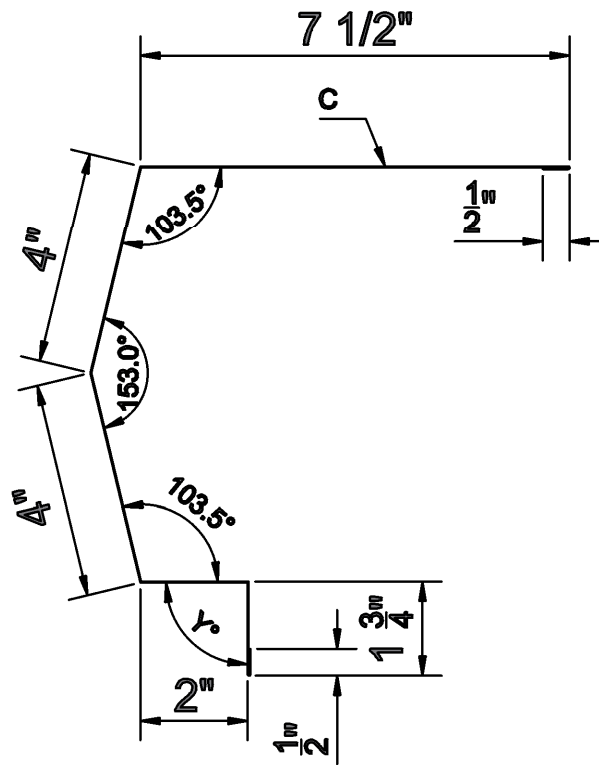
1.35 lbs

20 1/4"

26 ga.

HI-SIDE EAVE TRIM

ROOF PITCH	DEGREES
X:12	Y°
1/2:12	92.39°
1:12	94.76°
2:12	99.46°
3:12	104.04°
4:12	108.43°



REVISIONS

KEY USES

PBR ROOF - SINGLE SLOPE

DETAILER: DU

CHECKER: JG

DATE: APRIL 2024



7821 CLARKS MILL ROAD
LOUISVILLE, GA. 30434
PHONE: 844-GO-OSTRO
FAX: 478-625-3261

PART#:

OST-39

WEIGHT/FT

SIZE

MATERIAL

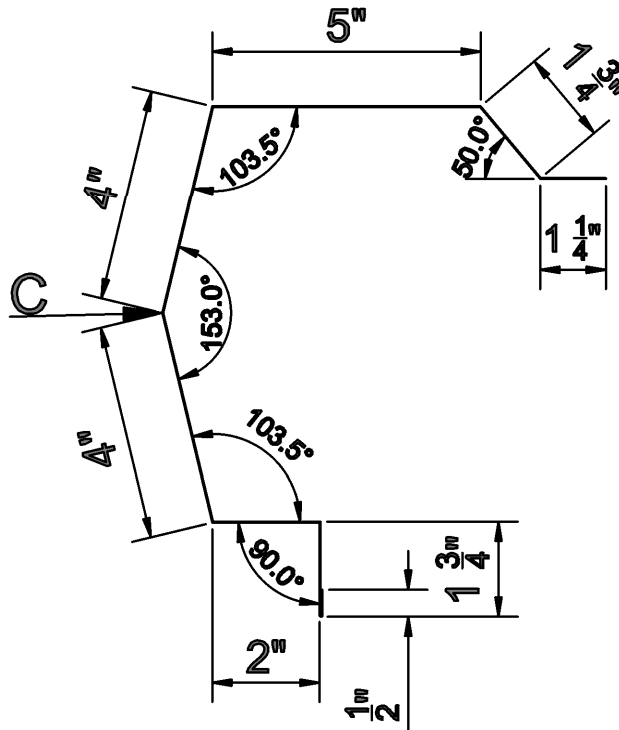
DESCRIPTION

1.31 lbs

20 1/4"

26 ga.

PBR RAKE TRIM



REVISIONS

KEY USES

PBR ROOF @ GABLE

DETAILER: DU

CHECKER: JG

DATE: APRIL 2024



7821 CLARKS MILL ROAD
LOUISVILLE, GA. 30434
PHONE: 844-GO-OSTRO
FAX: 478-625-3261

PART#:

OST-40

WEIGHT/FT

SIZE

MATERIAL

DESCRIPTION

2.68 lbs

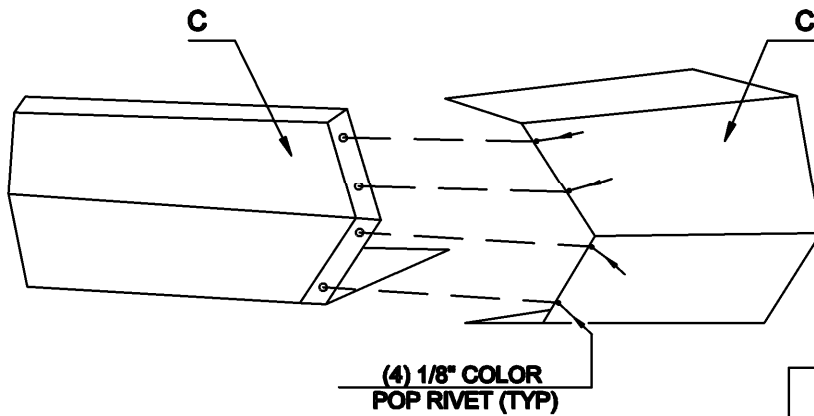
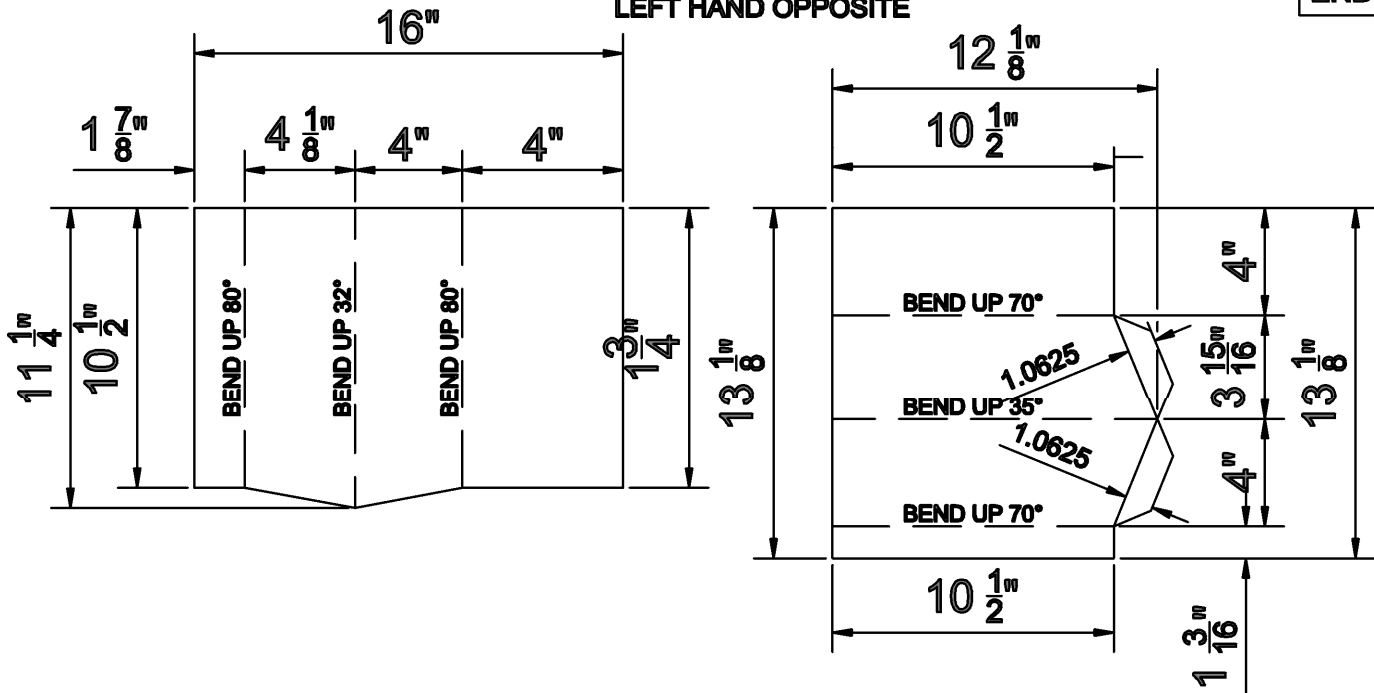
SEE BELOW

26 ga

CORNER BOX

ALL BENDS UP
PAINTED SIDE DOWN
RIGHT HAND AS SHOWN
LEFT HAND OPPOSITE

SPECIFY L OR R
CORNER BOX
LOOKING AT
ENDWALL



ASSEMBLED VIEW

REVISIONS

KEY USES

PBR ROOF @ GUTTER
& RAKE INTERSECTION

DETAILER: DU

CHECKER: JG

DATE: APRIL 2024



7821 CLARKS MILL ROAD
LOUISVILLE, GA. 30434
PHONE: 844-GO-OSTRO
FAX: 478-625-3261

PART#:

OST-41

WEIGHT/FT

SIZE

MATERIAL

DESCRIPTION

2.68 lbs

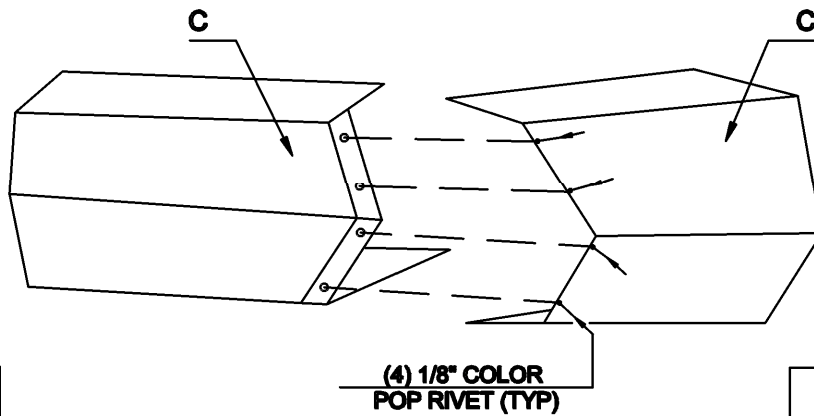
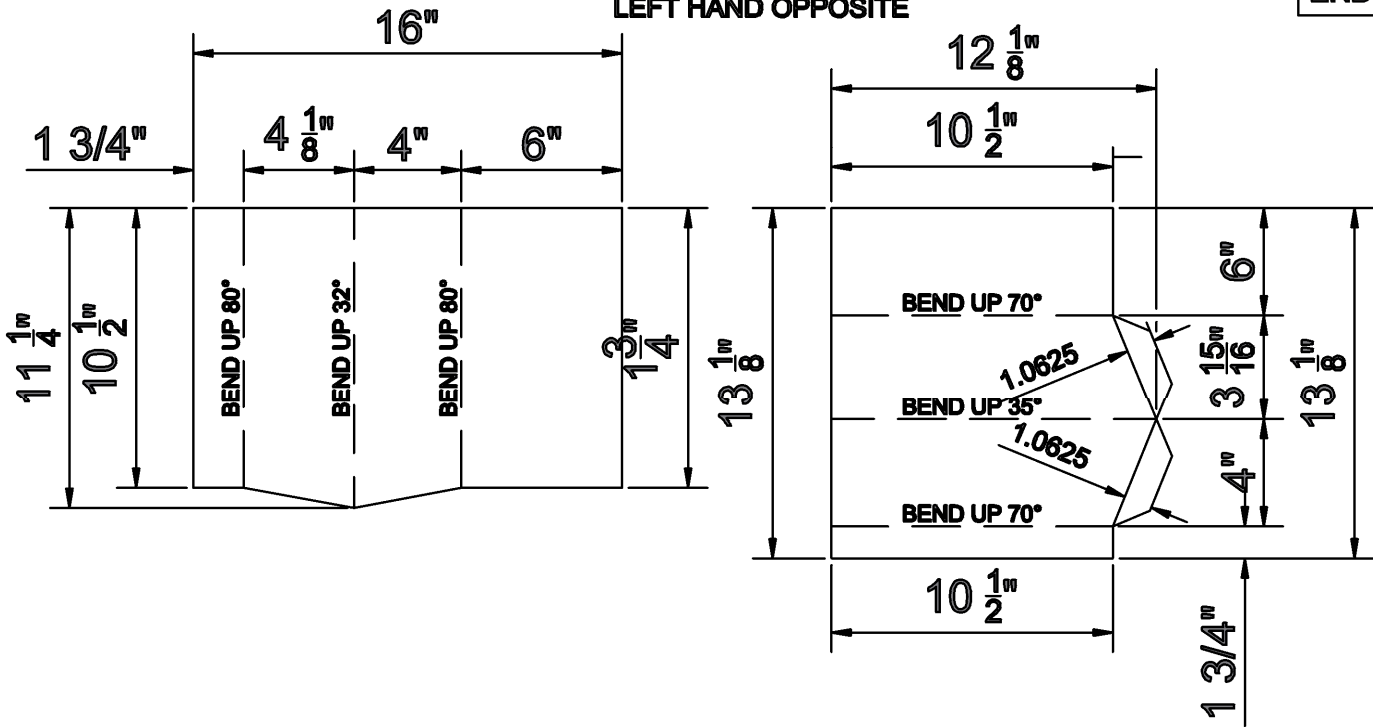
SEE BELOW

26 ga

HI-SIDE CORNER BOX

ALL BENDS UP
PAINTED SIDE DOWN
RIGHT HAND AS SHOWN
LEFT HAND OPPOSITE

SPECIFY L OR R
CORNER BOX
LOOKING AT
ENDWALL



ASSEMBLED VIEW

REVISIONS

KEY USES

PBR ROOF @ HI-SIDE EAVE
& RAKE INTERSECTION

DETAILER: DU

CHECKER: JG

DATE: APRIL 2024



7821 CLARKS MILL ROAD
LOUISVILLE, GA. 30434
PHONE: 844-GO-OSTRO
FAX: 478-625-3261

PART#:

OST-42

WEIGHT/FT

SIZE

MATERIAL

DESCRIPTION

0.35 lbs

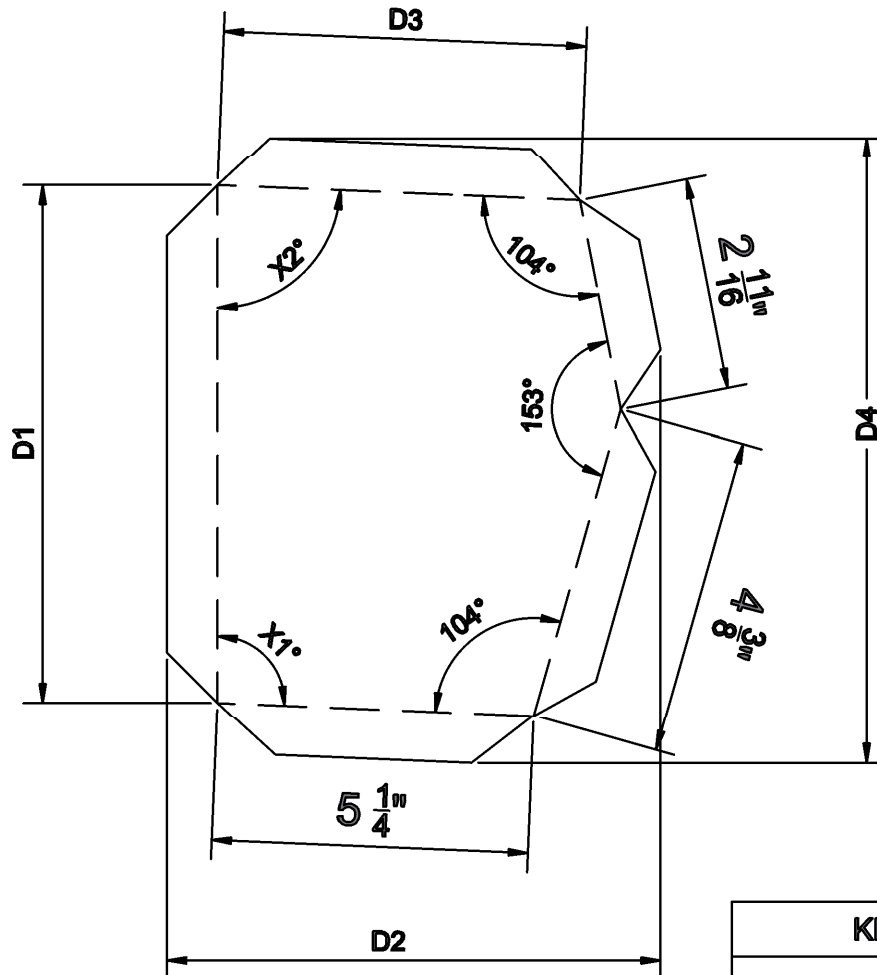
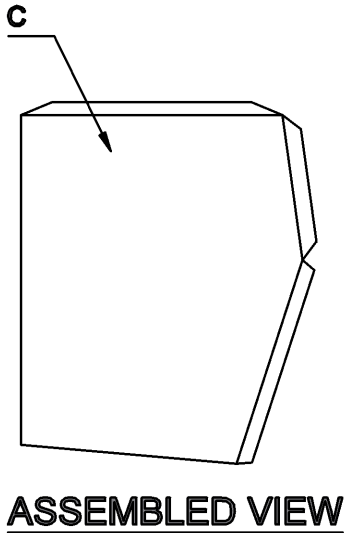
8" X 8"

26 ga.

GUTTER END

ROOF PITCH	X1°	X2°	D1	D2	D3	D4
1/2 :12	92°	92°	6 1/2"	6 1/8"	4 1/2"	7 13/16"
1:12	95°	95°	6 1/2"	6 5/16"	4 13/16"	7 7/8"
2:12	99°	99°	6 1/2"	6 5/8"	5 5/16"	8 3/16"
3:12	104°	104°	6 1/2"	6 15/16"	5 7/8"	8 7/16"
4:12	108°	108°	6 1/2"	7 1/8"	6 5/16"	8 3/4"
5:12	113°	113°	7"	7 5/16"	6 15/16"	9 1/16"

ALL BENDS UP @ 90°
UNLESS NOTED.



REVISIONS

KEY USES

PBR ROOF WITH GUTTER

PAINTED SIDE DOWN.
RIGHT AS SHOWN, LEFT OPPOSITE
HAND.

DETAILER: DU

CHECKER: JG

DATE: APRIL 2024



7821 CLARKS MILL ROAD
LOUISVILLE, GA. 30434
PHONE: 844-GO-OSTRO
FAX: 478-625-3261

PART#:

OST-43

WEIGHT/FT

SIZE

MATERIAL

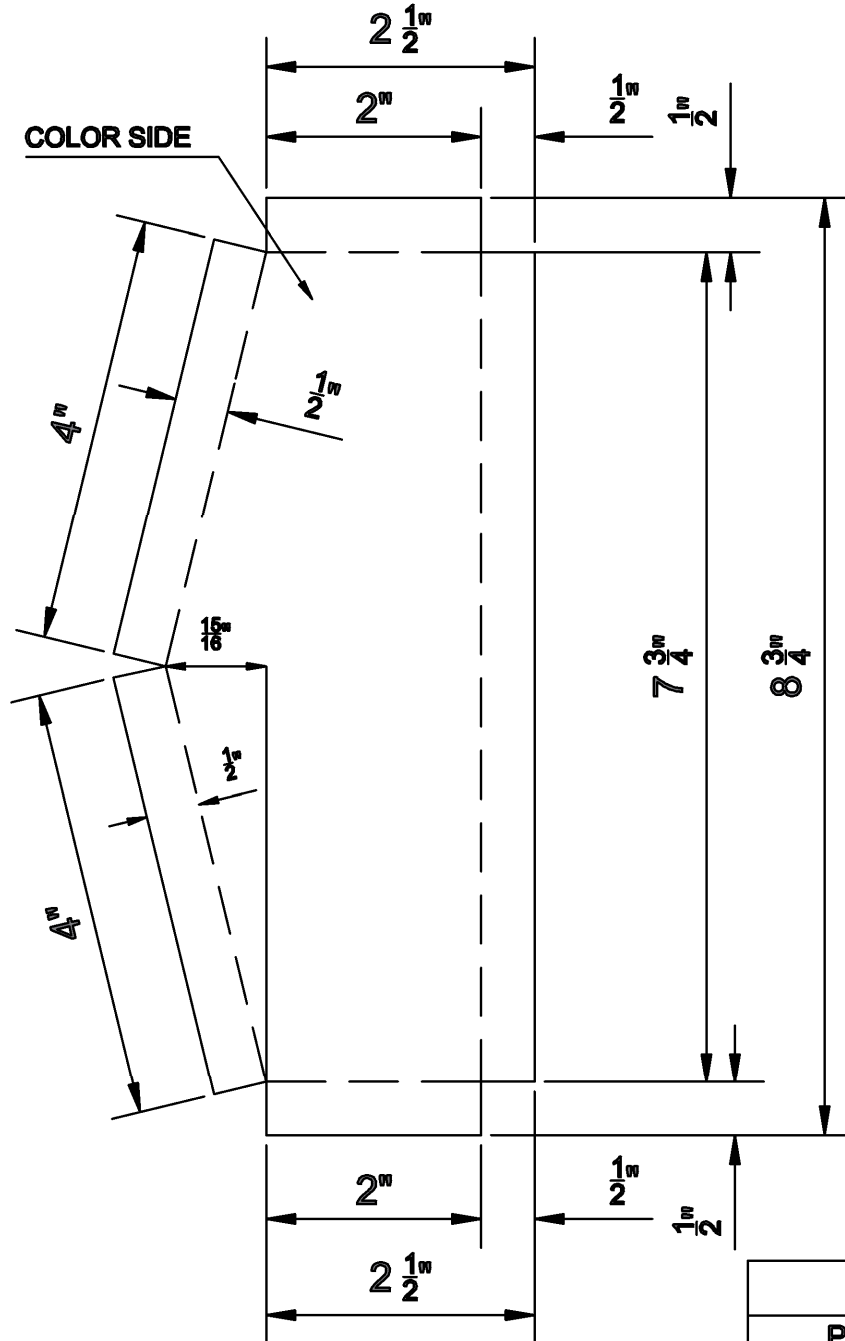
DESCRIPTION

0.19 lbs

SEE BELOW

26 ga.

RAKE END



REVISIONS

KEY USES

PBR ROOF WITH NO GUTTER

DETAILER: DU

CHECKER: JG

DATE: APRIL 2024



7821 CLARKS MILL ROAD
LOUISVILLE, GA. 30434
PHONE: 844-GO-OSTRO
FAX: 478-625-3261

PART#:

OST-44

WEIGHT/FT

SIZE

MATERIAL

DESCRIPTION

2.81 lbs

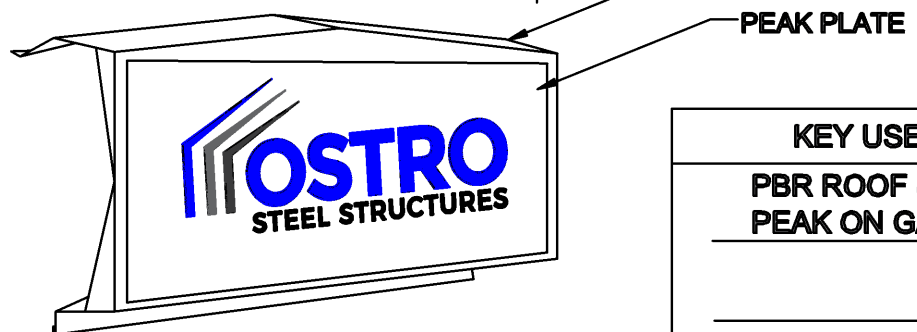
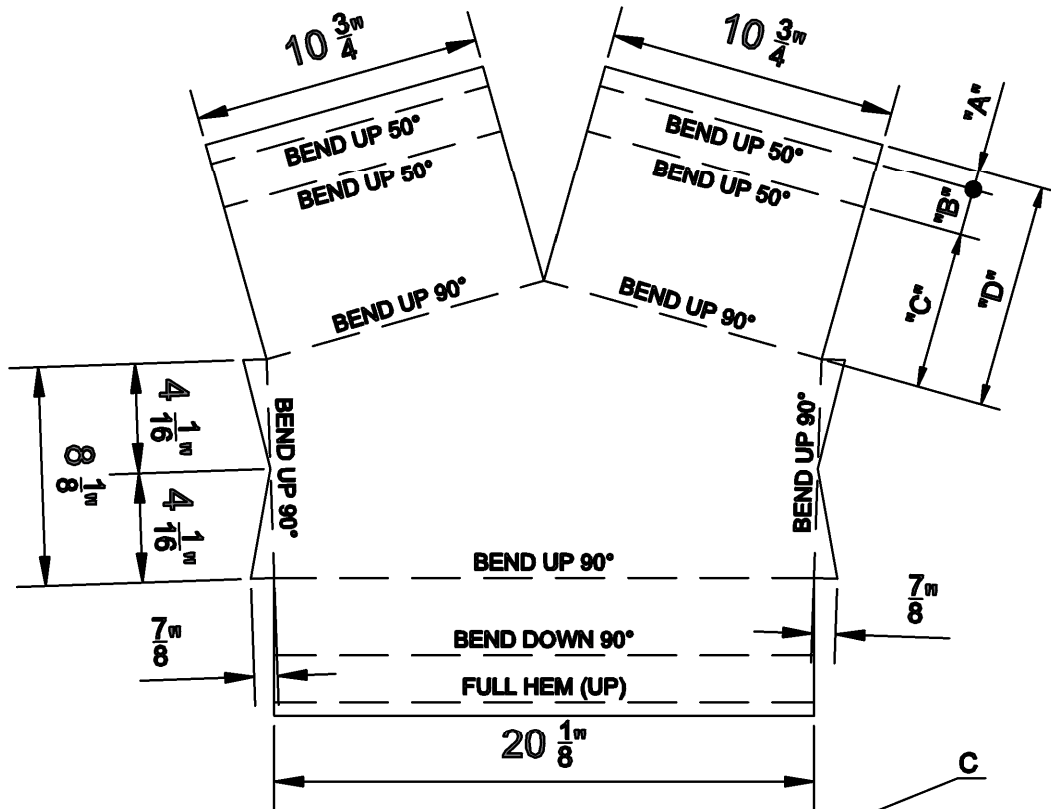
SEE BELOW

26 ga.

PEAK BOX

PITCH	A	B	C	D
1:12	3/4"	1 3/4"	5 7/8"	8 3/8"
2:12	1"	2"	6 1/8"	8 5/8"
3:12	1 1/4"	2 1/4"	6 3/8"	8 7/8"
4:12	1 1/2"	2 1/2"	6 5/8"	9 1/8"
5:12	1 3/4"	2 3/4"	6 7/8"	9 3/8"
6:12	2"	3"	7 1/8"	9 5/8"

ALL BENDS UP PAINTED SIDE DOWN



ASSEMBLED VIEW

REVISIONS

KEY USES

PBR ROOF @
PEAK ON GABLE

DETAILER: DU

CHECKER: JG

DATE: APRIL 2024



7821 CLARKS MILL ROAD
LOUISVILLE, GA. 30434
PHONE: 844-GO-OSTRO
FAX: 478-625-3261

PART#:

OST-45

WEIGHT/FT

SIZE

MATERIAL

DESCRIPTION

1.56 lbs

24"

26 ga.

VALLEY TRIM

VALLEY PITCH

X°

1/2:12

3.38°

1:12

6.74°

2:12

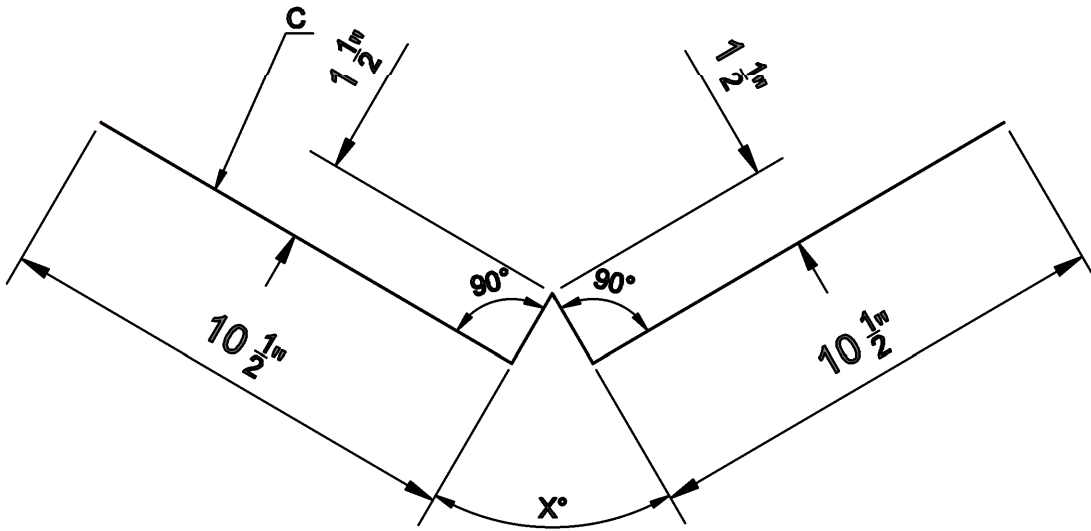
13.44°

3:12

20.05°

4:12

26.53°



NOTE:

BEND ANGLE (X°) WILL VARY DEPENDING ON VALLEY ANGLE.

REVISIONS

KEY USES

PBR ROOF @ VALLEY

SS ROOF @ VALLEY

DETAILER: DU

CHECKER: JG

DATE: APRIL 2024



7821 CLARKS MILL ROAD
LOUISVILLE, GA. 30434
PHONE: 844-GO-OSTRO
FAX: 478-625-3261

PART#:

OST-46

WEIGHT/FT

SIZE

MATERIAL

DESCRIPTION

1.56 lbs

24"

26 ga.

Flat Ridge Cap

RIDGE PITCH

X°

1/2:12

4.77°

1:12

9.53°

2:12

18.92°

3:12

28.07°

4:12

36.87°

HIP PITCH

X°

1/2:12

3.38°

1:12

6.74°

2:12

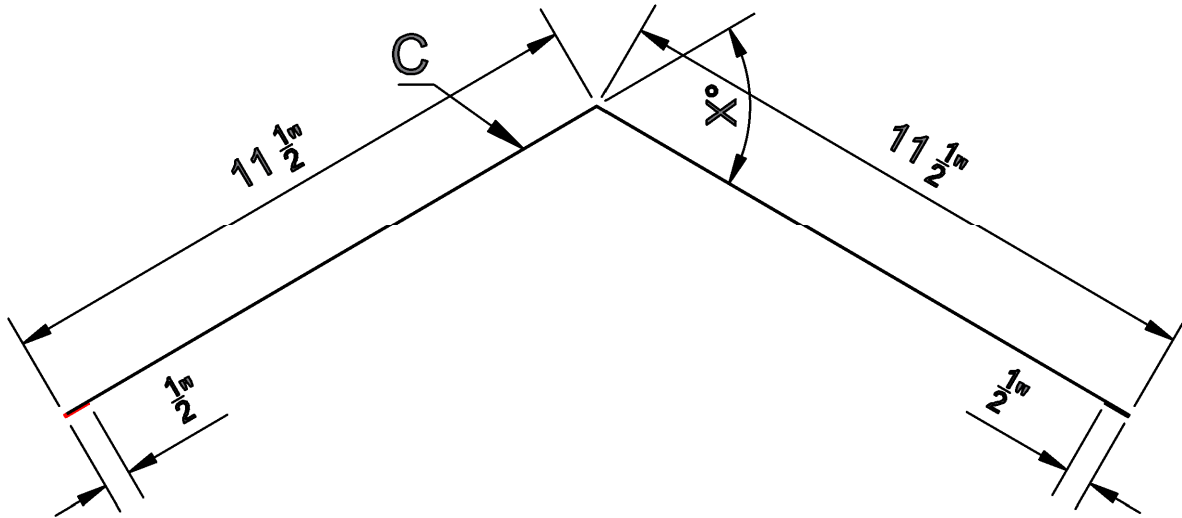
13.44°

3:12

20.05°

4:12

26.53°



NOTE:

BEND ANGLE (X°) WILL VARY DEPENDING ON ROOF PITCH.

REVISIONS

KEY USES

PBR ROOF

SS ROOF

HIPPED ROOF

DETAILER: DU

CHECKER: JG

DATE: APRIL 2024



7821 CLARKS MILL ROAD
LOUISVILLE, GA. 30434
PHONE: 844-GO-OSTRO
FAX: 478-625-3261

PART#:

OST-47

WEIGHT/FT

SIZE

MATERIAL

DESCRIPTION

7.00 lbs

36" x 36"

26 ga.

PBR DIE-FORMED
RIDGE CAP

PITCH

X°

1:12

170.47°

2:12

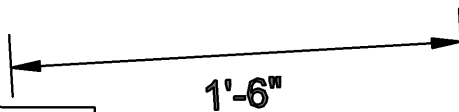
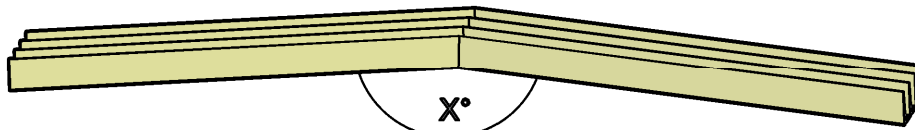
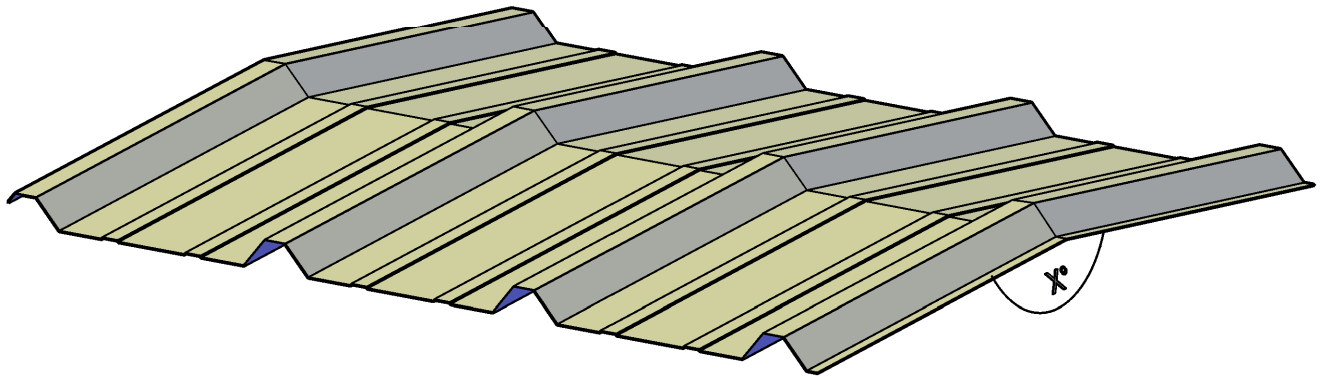
161.08°

3:12

151.93°

4:12

143.13°



REVISIONS

KEY USES

PBR ROOF - RIDGE

DETAILER: DU

CHECKER: JG

DATE: APRIL 2024



7821 CLARKS MILL ROAD
LOUISVILLE, GA. 30434
PHONE: 844-GO-OSTRO
FAX: 478-825-3261

PART#:

OST-48

WEIGHT/FT

SIZE

MATERIAL

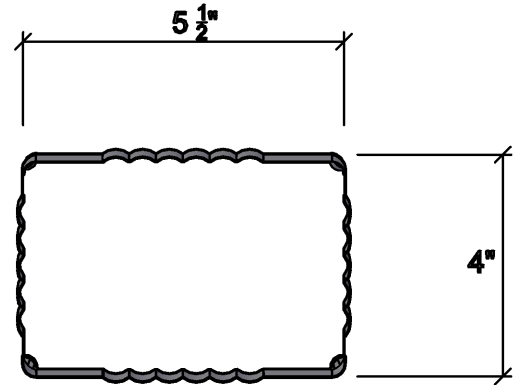
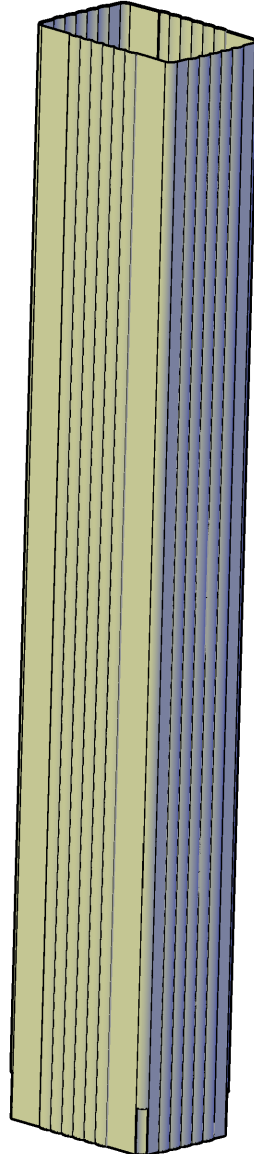
DESCRIPTION

1.24 lbs

4" x 5 $\frac{1}{2}$ "

26 ga.

4" x 5 $\frac{1}{2}$ " Roll-Formed
Downspout



REVISIONS

KEY USES

PBR ROOF WITH
GUTTER

SS ROOF WITH
GUTTER

DETAILER: DU

CHECKER: JG

DATE: APRIL 2024



7821 CLARKS MILL ROAD
LOUISVILLE, GA. 30434
PHONE: 844-GO-OSTRO
FAX: 478-825-3261

PART#:

OST-49

WEIGHT/FT

SIZE

MATERIAL

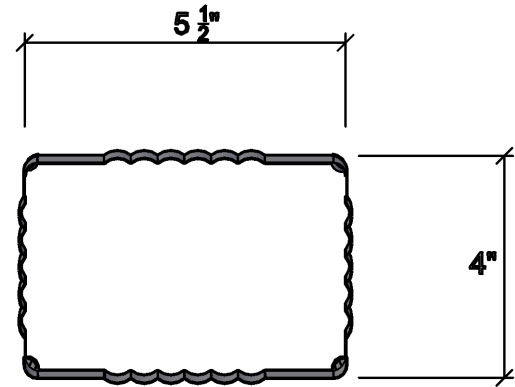
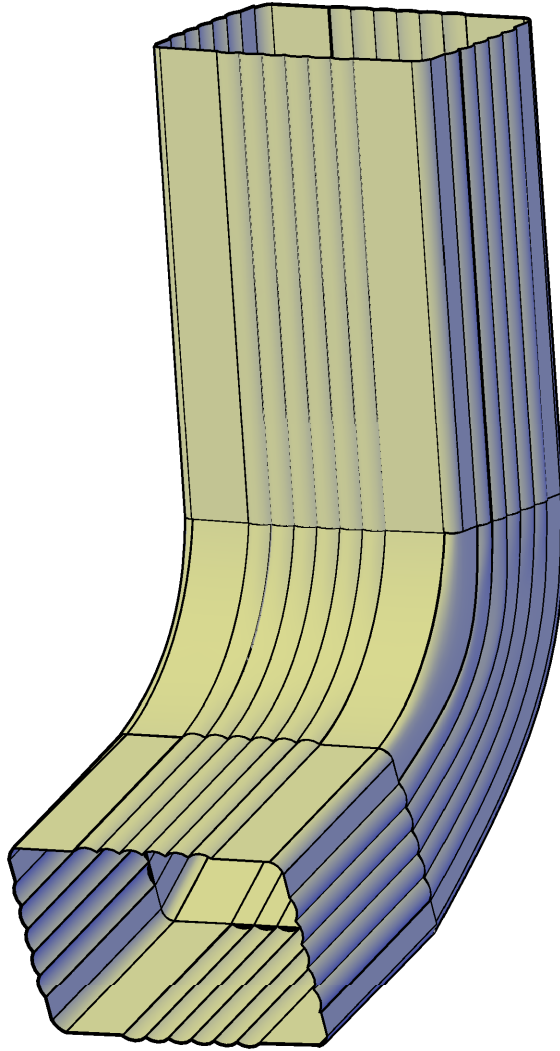
DESCRIPTION

1.24 lbs

4" x 5½"

26 ga.

4x5½" Roll-Formed
Downspout 72° Kick



REVISIONS

KEY USES

Downspouts

DETAILER: DU

CHECKER: JG

DATE: APRIL 2024



7821 CLARKS MILL ROAD
LOUISVILLE, GA. 30434
PHONE: 844-GO-OSTRO
FAX: 478-825-3261

PART#:

OST-50

WEIGHT/FT

SIZE

MATERIAL

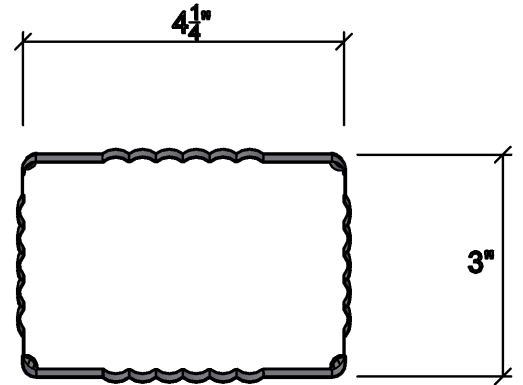
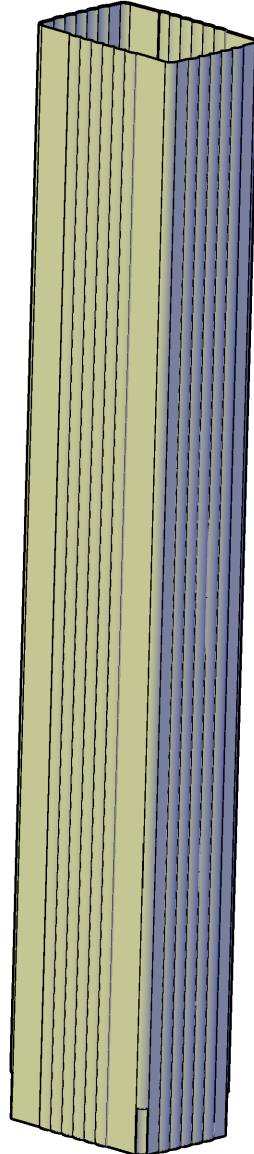
DESCRIPTION

0.94 lbs

3" x 4 $\frac{1}{4}$ "

26 ga.

3"x4 $\frac{1}{4}$ " Roll-Formed
Downspout



REVISIONS

KEY USES

PBR ROOF WITH
GUTTER

SS ROOF WITH
GUTTER

DETAILER: DU

CHECKER: JG

DATE: APRIL 2024



7821 CLARKS MILL ROAD
LOUISVILLE, GA. 30434
PHONE: 844-GO-OSTRO
FAX: 478-825-3261

PART#:

OST-51

WEIGHT/FT

SIZE

MATERIAL

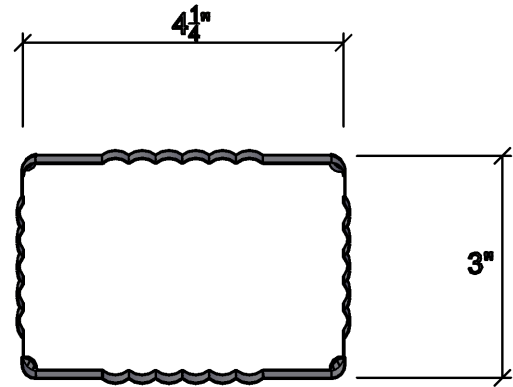
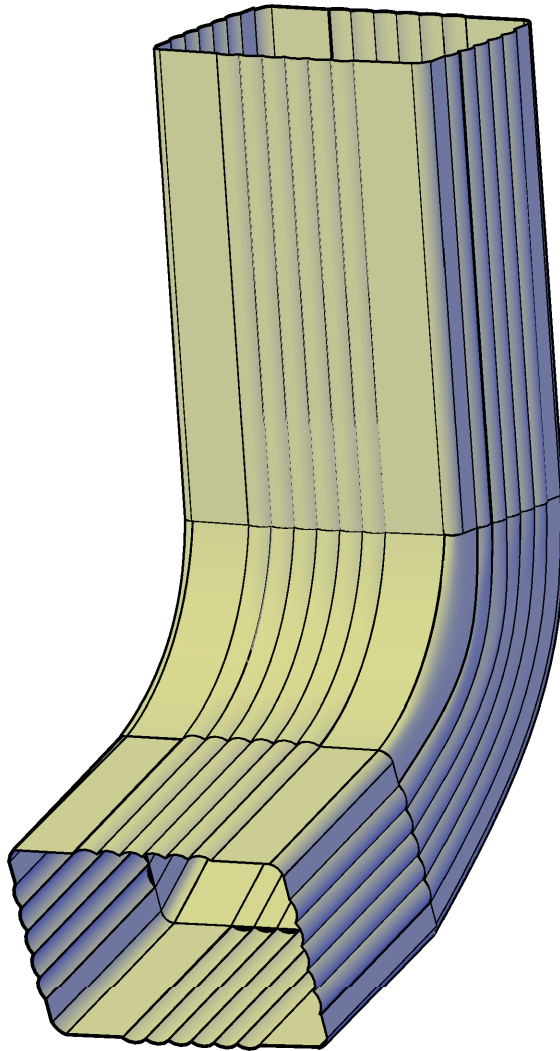
DESCRIPTION

0.94 lbs

3" x 4 $\frac{1}{4}$ "

26 ga.

3"x4 $\frac{1}{4}$ " Roll-Formed
Downspout 72° Kick



REVISIONS

KEY USES

Downspouts

DETAILER: DU

CHECKER: JG

DATE: APRIL 2024



7821 CLARKS MILL ROAD
LOUISVILLE, GA. 30434
PHONE: 844-GO-OSTRO
FAX: 478-625-3261

PART#:

OST-52

WEIGHT/FT

SIZE

MATERIAL

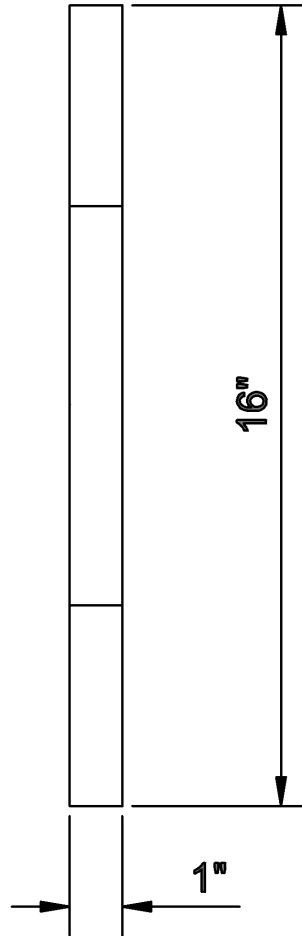
DESCRIPTION

0.09 lbs

1" x 16"

26 ga.

Downspout Strap



REVISIONS

KEY USES

Downspouts

DETAILER: DU

CHECKER: JG

DATE: APRIL 2024



7821 CLARKS MILL ROAD
LOUISVILLE, GA. 30434
PHONE: 844-GO-OSTRO
FAX: 478-625-3261

PART#:

OST-53

WEIGHT/FT

SIZE

MATERIAL

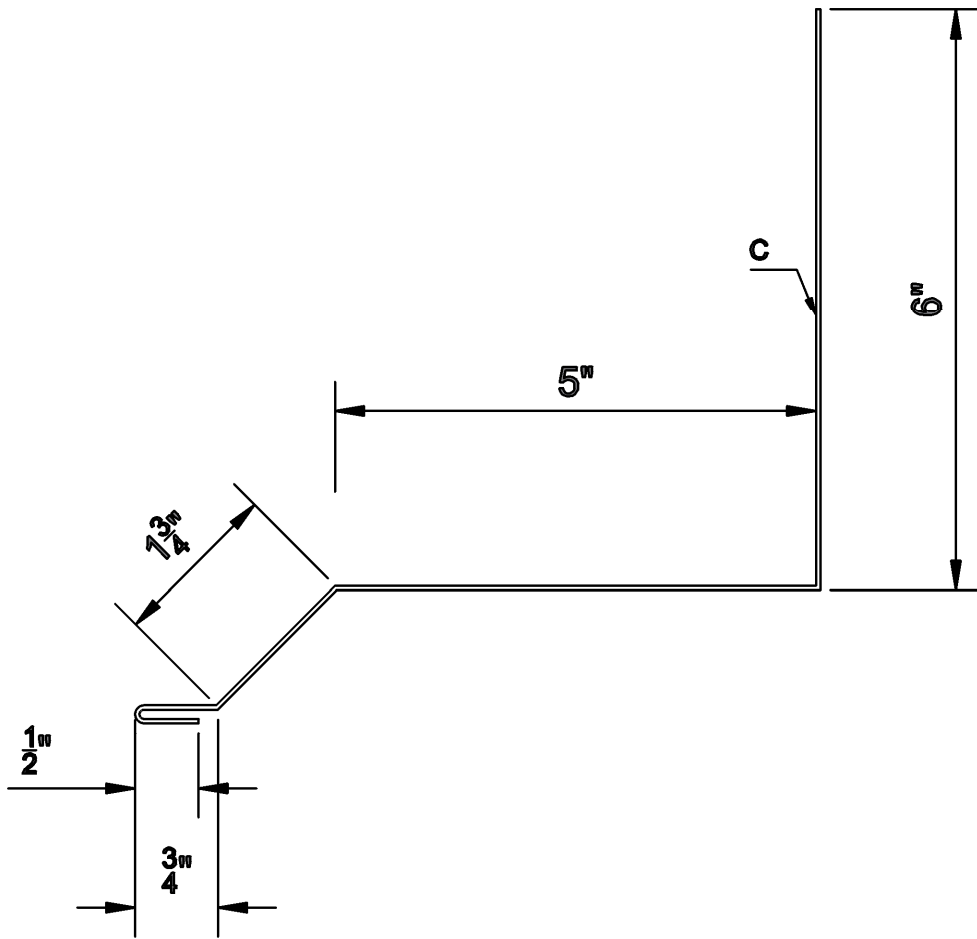
DESCRIPTION

0.06 lbs

14"

26 ga.

Parapet Rake Trim



REVISIONS

KEY USES

PBR ROOF @ GABLE
WITH PARAPET

DETAILER: DU

CHECKER: JG

DATE: APRIL 2024



7821 CLARKS MILL ROAD
LOUISVILLE, GA. 30434
PHONE: 844-GO-OSTRO
FAX: 478-825-3261

PART#:

OST-54

WEIGHT/FT

SIZE

MATERIAL

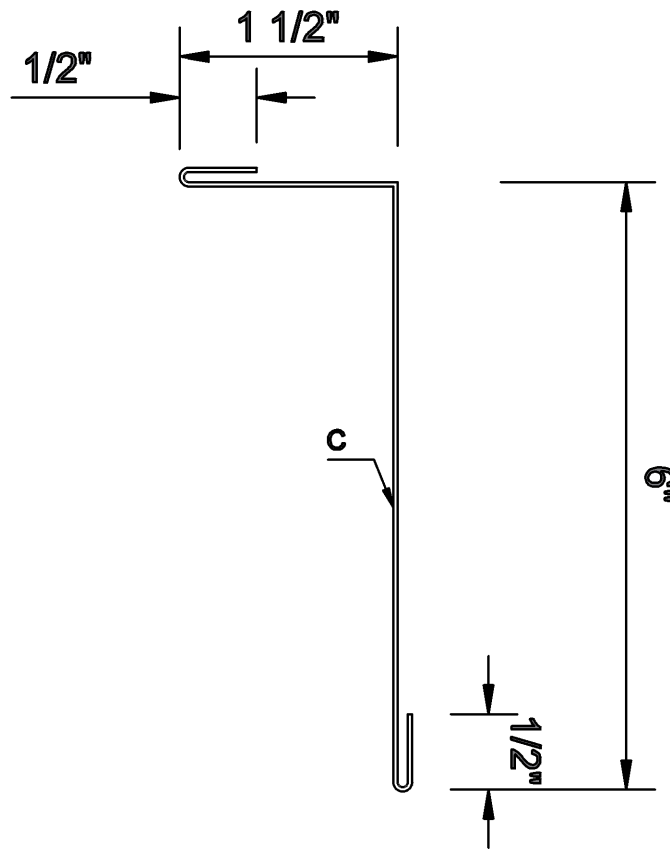
DESCRIPTION

0.06 lbs

8 1/2"

26 ga.

Liner Panel Cap Trim



REVISIONS

KEY USES

Liner Panel @ Liner
Insulation System @
Endwall

DETAILER: DU

CHECKER: JG

DATE: APRIL 2024



7821 CLARKS MILL ROAD
LOUISVILLE, GA. 30434
PHONE: 844-GO-OSTRO
FAX: 478-625-3261

PART#:

OST-100

WEIGHT/FT

SIZE

MATERIAL

DESCRIPTION

0.49 lbs.

7 1/2"

26 ga.

OFFSET PANEL EAVE TRIM

PITCH

X°

1/2:12

92.39°

1:12

94.76°

2:12

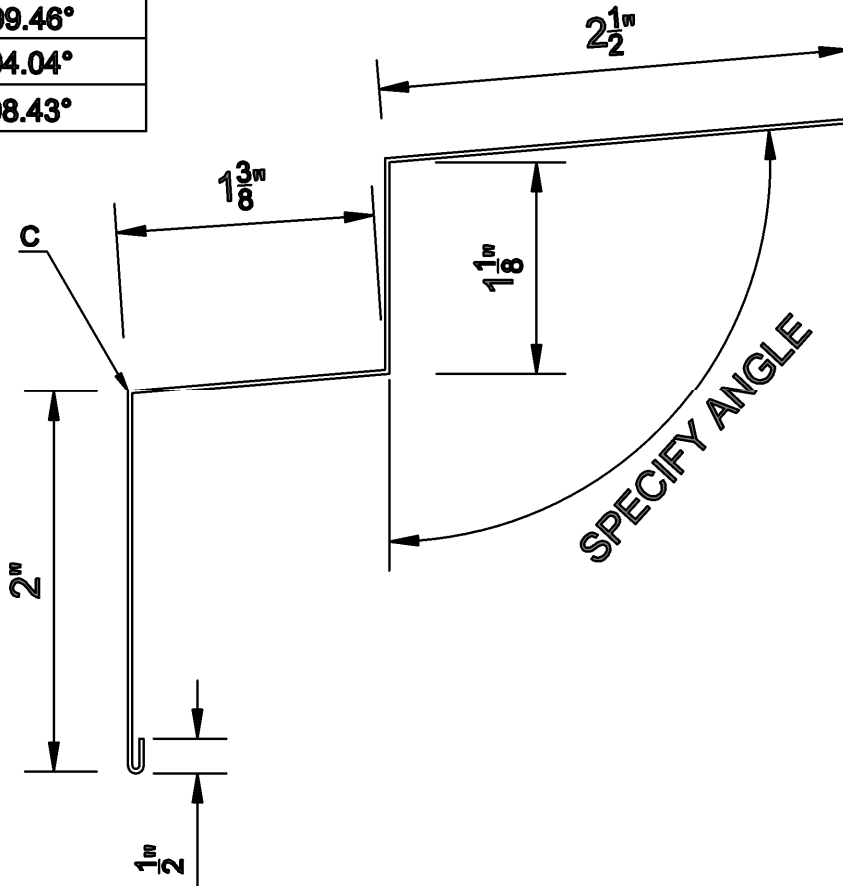
99.46°

3:12

104.04°

4:12

108.43°



REVISIONS

KEY USES

SS ROOF

DETAILER: DU

CHECKER: JG

DATE: APRIL 2024



7821 CLARKS MILL ROAD
LOUISVILLE, GA. 30434
PHONE: 844-GO-OSTRO
FAX: 478-625-3261

PART#:

OST-101

WEIGHT/FT

SIZE

MATERIAL

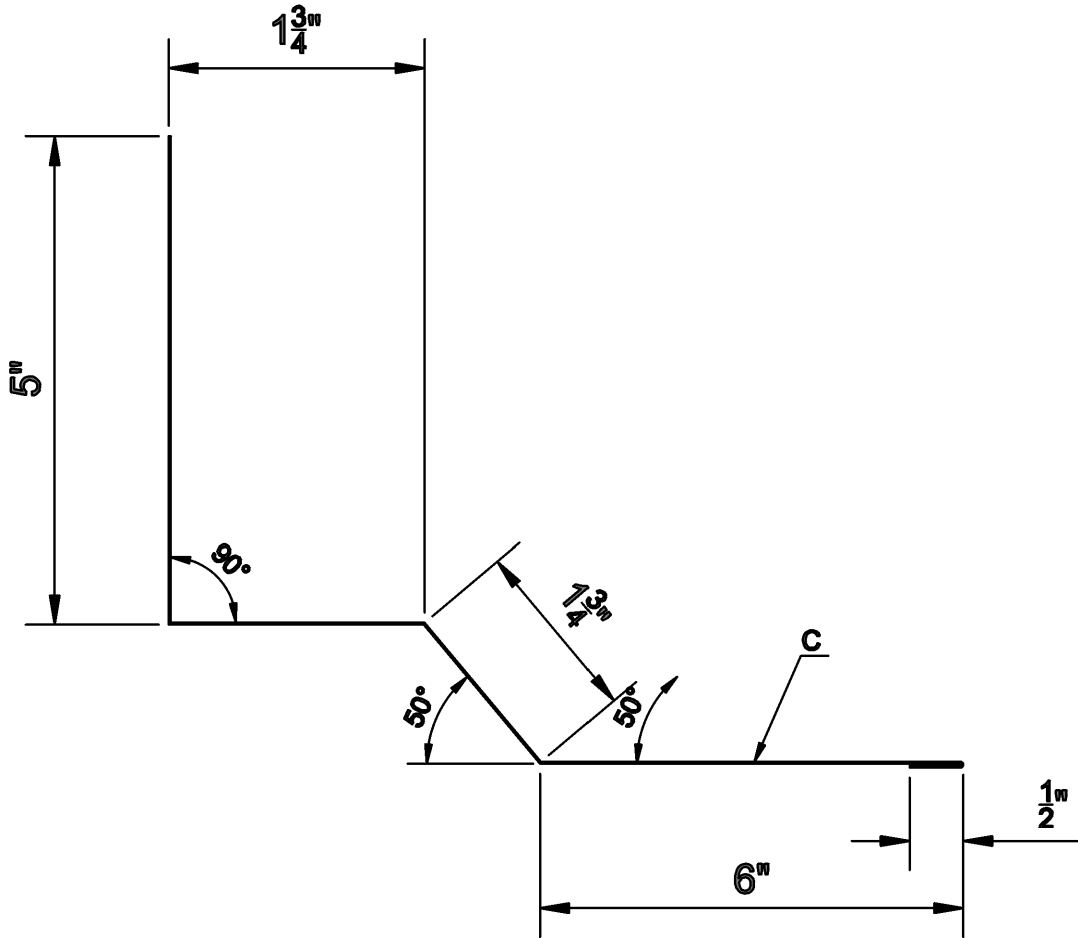
DESCRIPTION

0.97 lbs

15"

26 ga.

PARAPET HI-EAVE



REVISIONS

KEY USES

SS Roof/PARAPET

DETAILER: DU

CHECKER: JG

DATE: APRIL 2024



7821 CLARKS MILL ROAD
LOUISVILLE, GA. 30434
PHONE: 844-GO-OSTRO
FAX: 478-625-3261

PART#:

OST-102

WEIGHT/FT

SIZE

MATERIAL

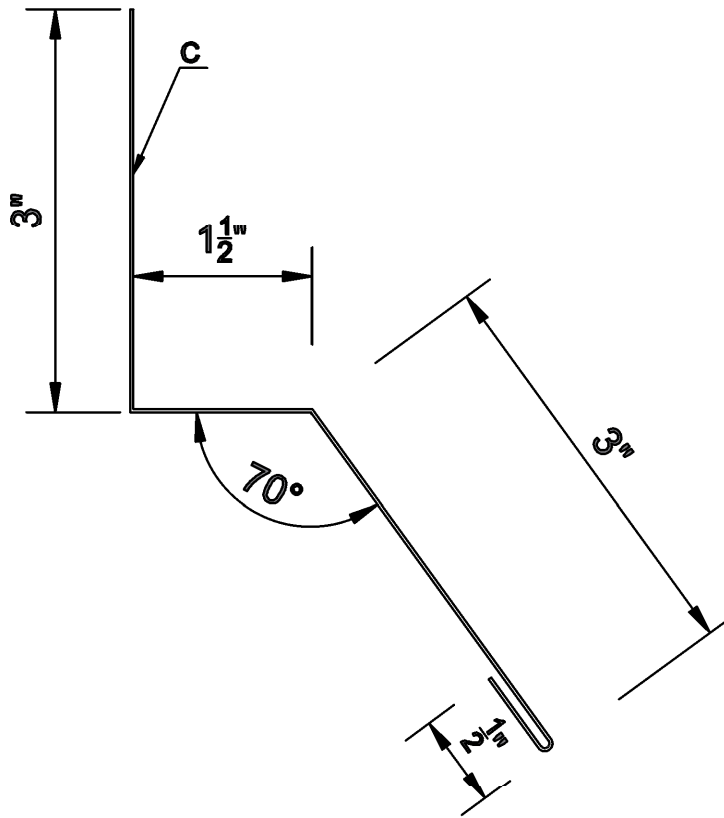
DESCRIPTION

0.52 lbs

8"

26 ga.

PARAPET RAKE



REVISIONS

KEY USES

SS Roof/PARAPET

DETAILER: DU

CHECKER: JG

DATE: APRIL 2024



7821 CLARKS MILL ROAD
LOUISVILLE, GA. 30434
PHONE: 844-GO-OSTRO
FAX: 478-625-3261

PART#:

OST-104

WEIGHT/FT

SIZE

MATERIAL

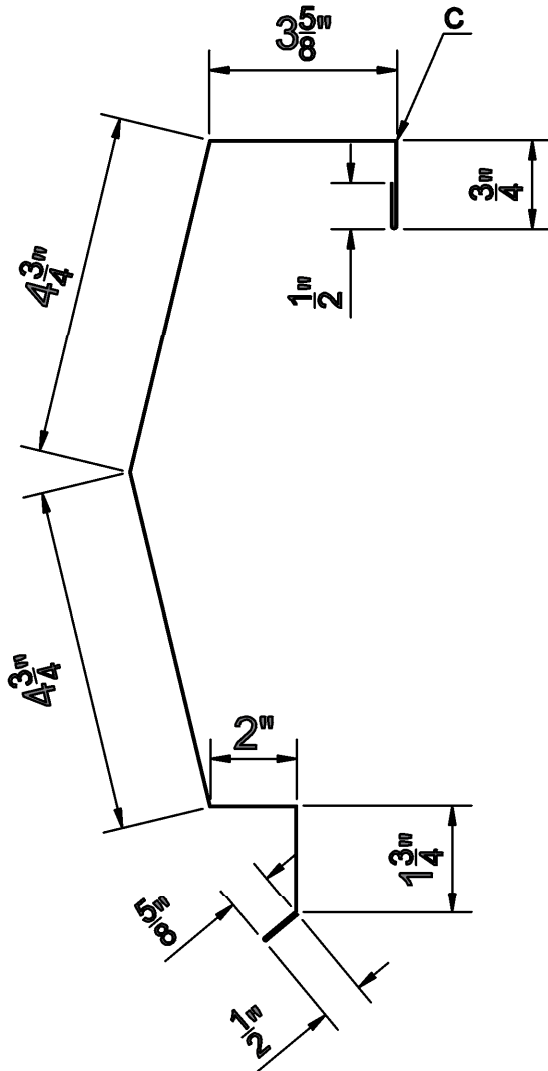
DESCRIPTION

1.35 lbs

19 1/4"

26 ga.

SS RAKE TRIM



REVISIONS

KEY USES

SS ROOF @ GABLE

DETAILER: DU

CHECKER: JG

DATE: APRIL 2024



7821 CLARKS MILL ROAD
LOUISVILLE, GA. 30434
PHONE: 844-GO-OSTRO
FAX: 478-625-3261

PART#:

OST-105

WEIGHT/FT

SIZE

MATERIAL

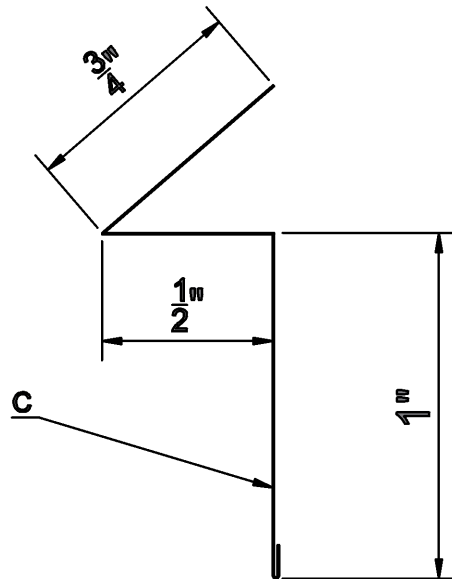
DESCRIPTION

0.18 lbs

2 3/4"

26 ga.

SS RAKE SLIDE



REVISIONS

KEY USES

SS ROOF @ RAKE

DETAILER: DU

CHECKER: JG

DATE: APRIL 2024



7821 CLARKS MILL ROAD
LOUISVILLE, GA. 30434
PHONE: 844-GO-OSTRO
FAX: 478-625-3261

PART#:

OST-106

WEIGHT/FT

SIZE

MATERIAL

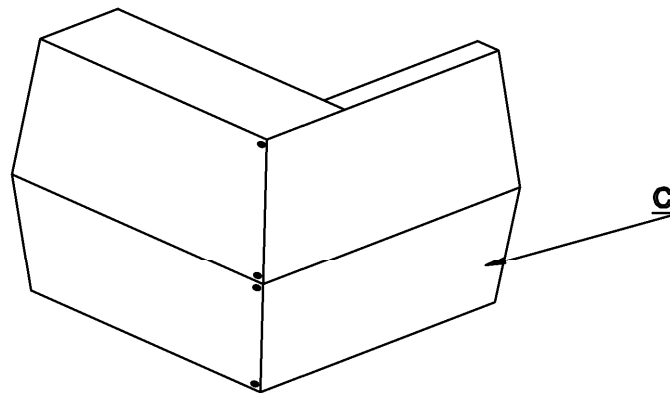
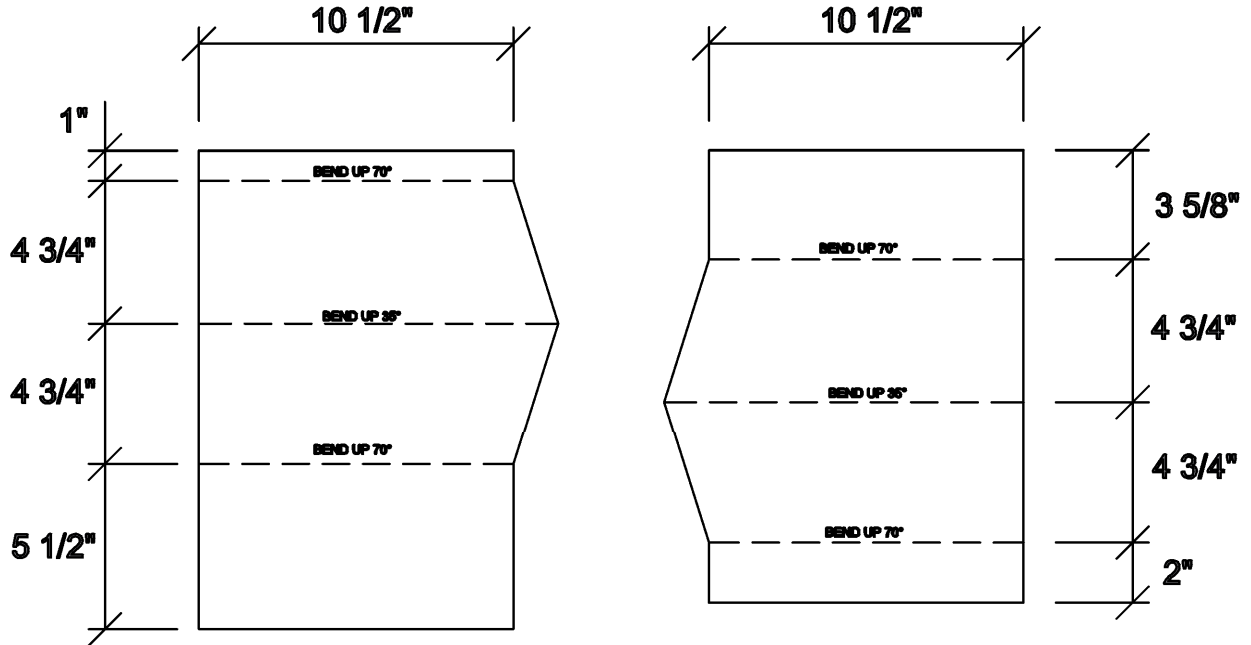
DESCRIPTION

2.68 lbs

SEE BELOW

26 ga.

SS CORNER BOX



ASSEMBLED VIEW

REVISIONS

KEY USES

SS ROOF @ RAKE & GUTTER INTERSECTION

DETAILER: DU

CHECKER: JG

DATE: APRIL 2024



7821 CLARKS MILL ROAD
LOUISVILLE, GA. 30434
PHONE: 844-GO-OSTRO
FAX: 478-625-3261

PART#:

OST-107

WEIGHT/FT

SIZE

MATERIAL

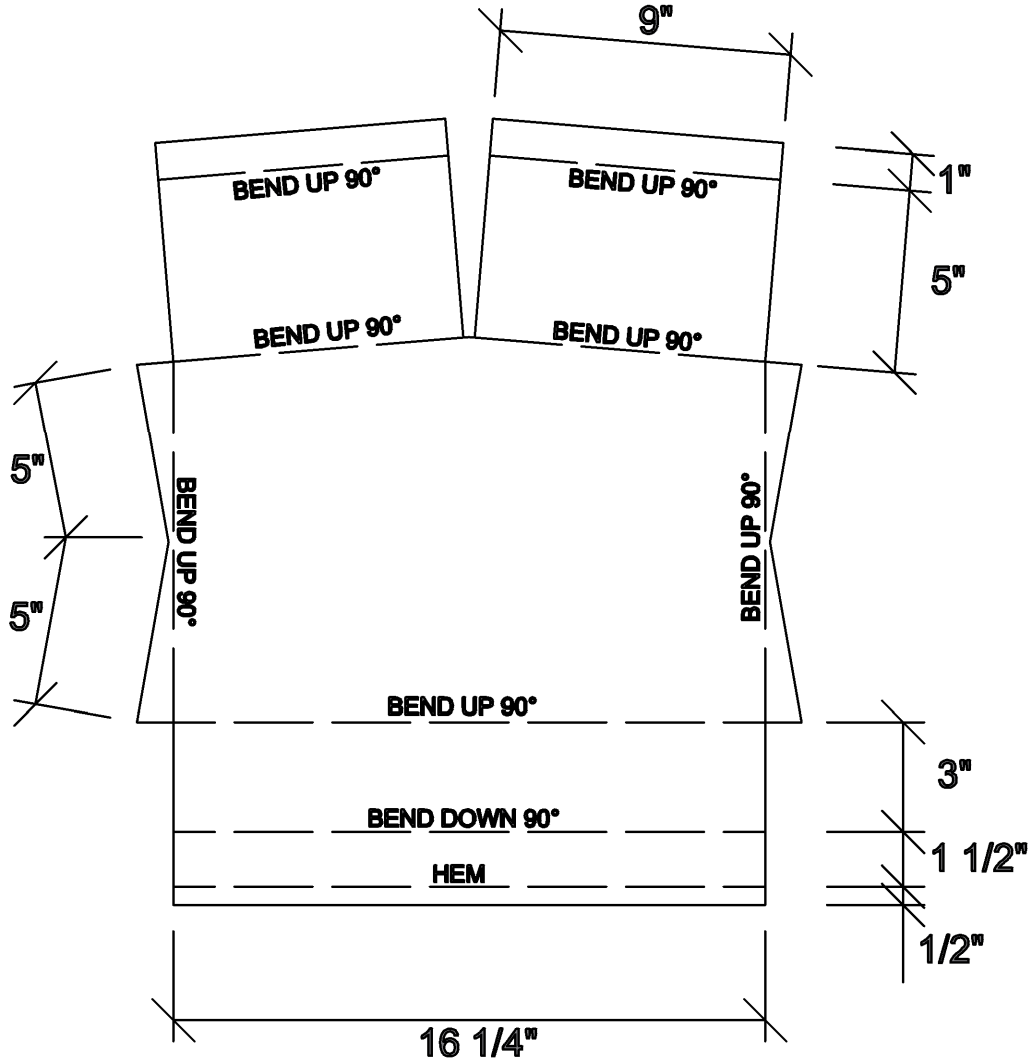
DESCRIPTION

2.68 lbs

SEE BELOW

26 ga.

SS PEAK BOX



REVISIONS

KEY USES

SS ROOF @ PEAK
ON GABLE

DETAILER: DU

CHECKER: JG

DATE: APRIL 2024



7821 CLARKS MILL ROAD
LOUISVILLE, GA. 30434
PHONE: 844-GO-OSTRO
FAX: 478-625-3261

PART#:

OST-108

WEIGHT/FT

SIZE

MATERIAL

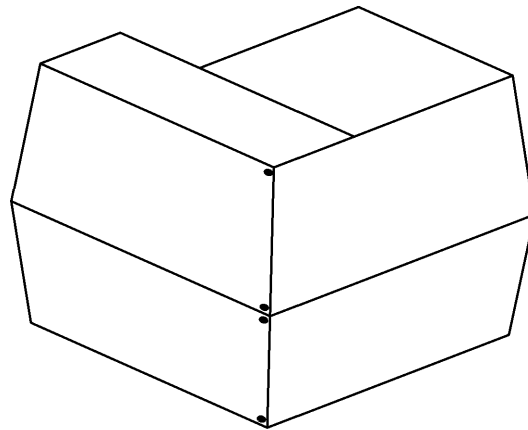
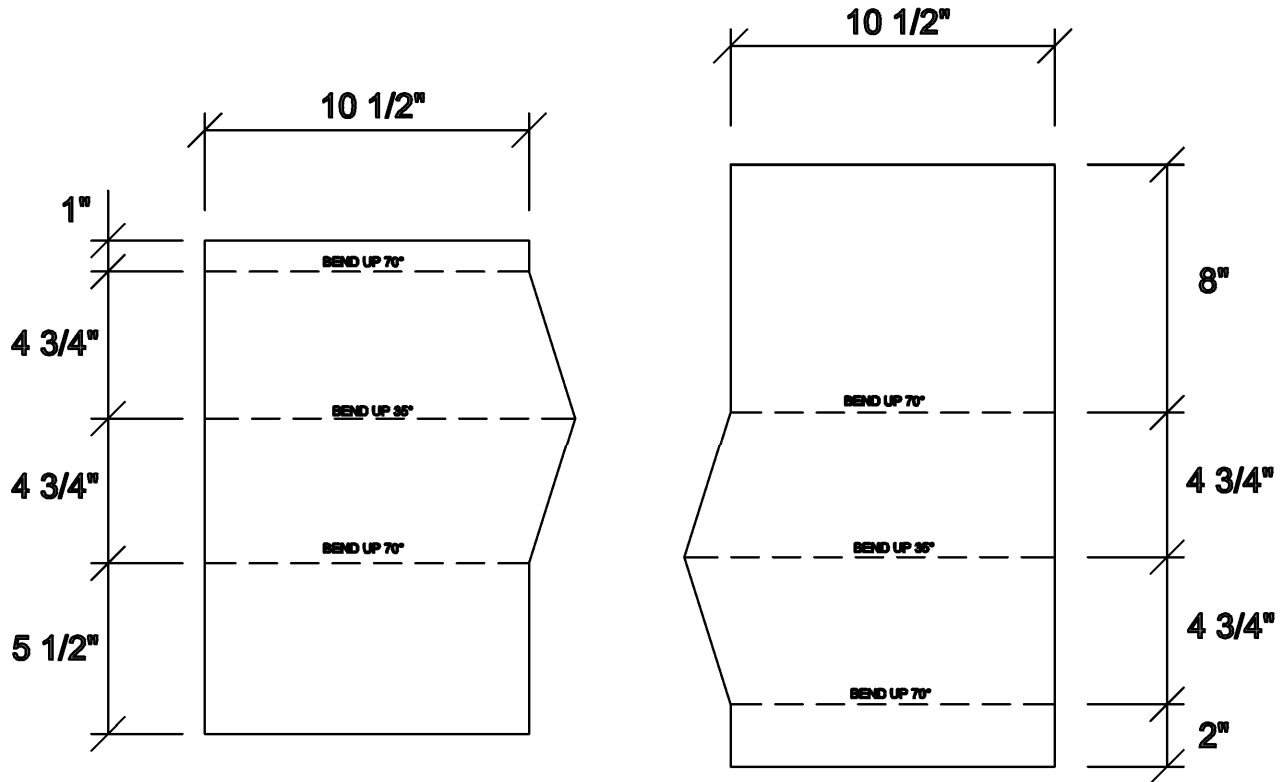
DESCRIPTION

2.68 lbs

SEE BELOW

26 ga.

SS HI-SIDE CORNER BOX



ASSEMBLED VIEW

REVISIONS

KEY USES

SS ROOF @ RAKE & HI-SIDE
EAVE INTERSECTION

DETAILER: DU

CHECKER: JG

DATE: APRIL 2024



7821 CLARKS MILL ROAD
LOUISVILLE, GA. 30434
PHONE: 844-GO-OSTRO
FAX: 478-625-3261

PART#:

OST-109A
OST-109B

WEIGHT/FT

SIZE

MATERIAL

DESCRIPTION

1.54 lbs

23 13/16" - 24 7/16"

26 ga.

SS HANG-ON GUTTER

PITCH

X°

1/2:12

92.39°

1:12

94.76°

2:12

99.46°

3:12

104.04°

4:12

108.43°

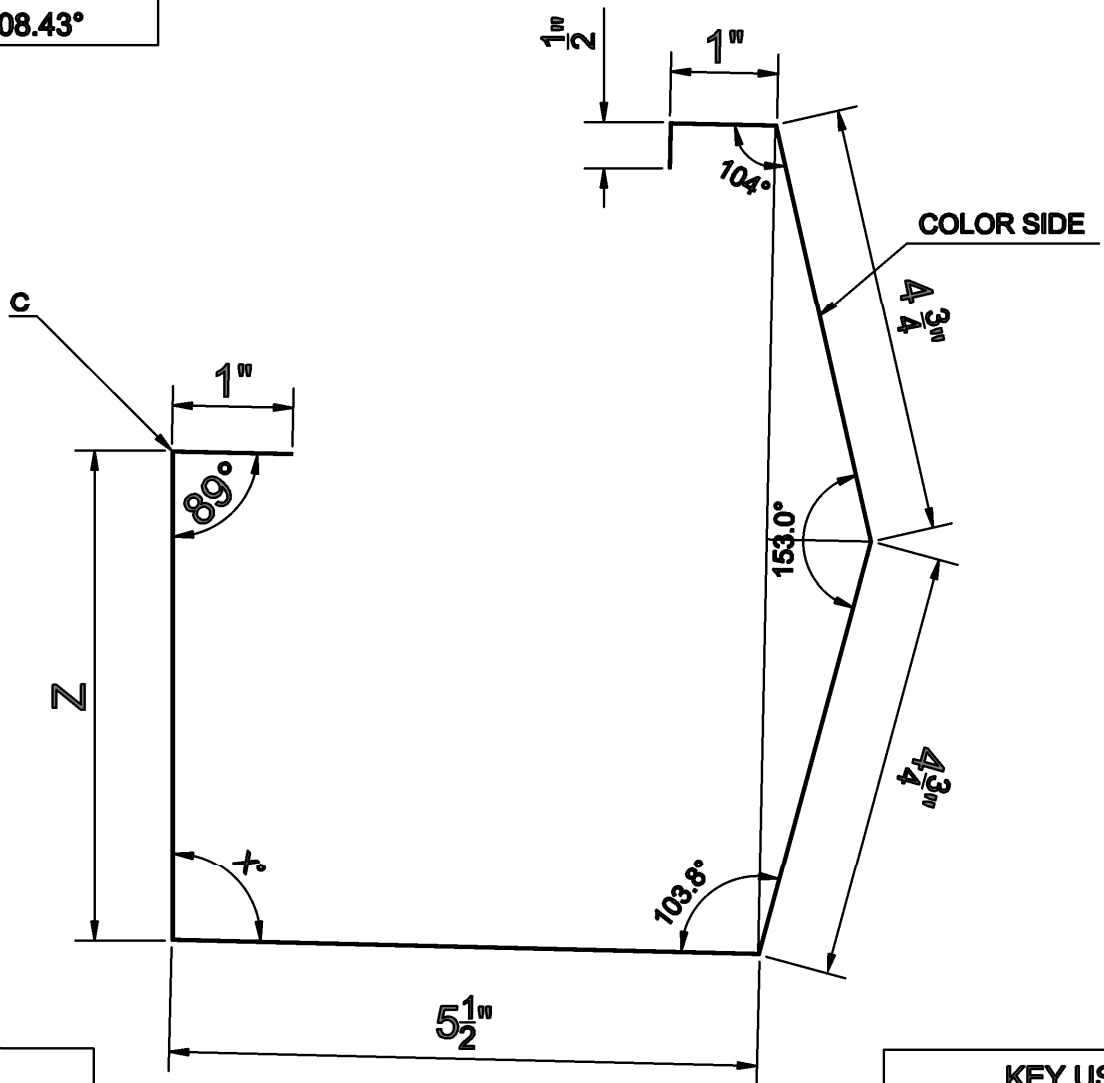
Z

A IF PITCH < 4 1/8:12

Z = 6 5/16"

B IF PITCH > 4:12

Z = 6 15/16"



REVISIONS

KEY USES

SS ROOF

DETAILER: DU

CHECKER: JG

DATE: APRIL 2024



7821 CLARKS MILL ROAD
LOUISVILLE, GA. 30434
PHONE: 844-GO-OSTRO
FAX: 478-625-3261

PART#:

OST-110

WEIGHT/FT

SIZE

MATERIAL

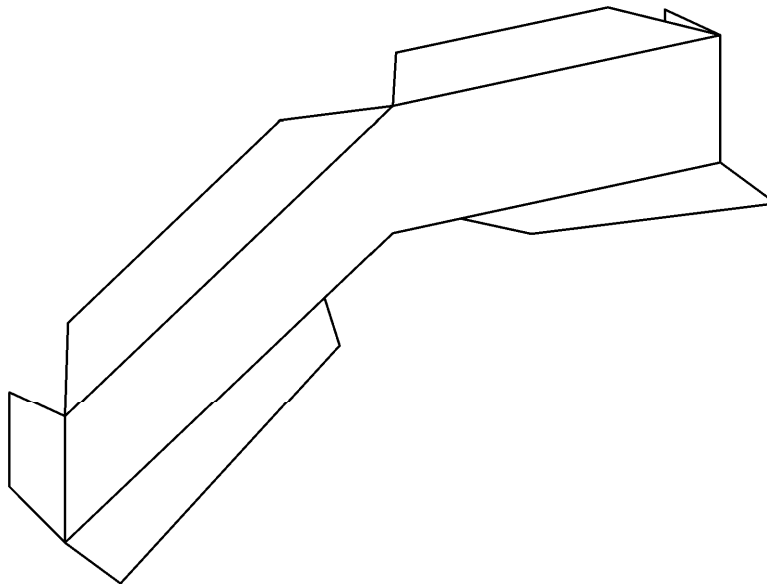
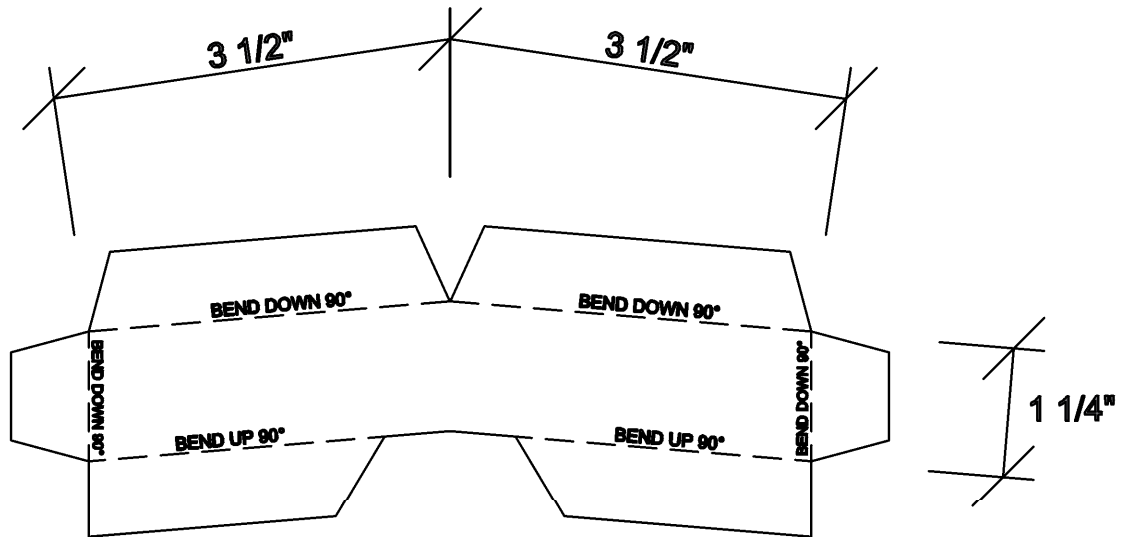
DESCRIPTION

0.33 lbs

SEE BELOW

26 ga.

RIDGE END CAP



REVISIONS

KEY USES

SS ROOF @ FLOATING
RIDGE END

DETAILER: DU

CHECKER: JG

DATE: APRIL 2024



7821 CLARKS MILL ROAD
LOUISVILLE, GA. 30434
PHONE: 844-GO-OSTRO
FAX: 478-625-3261

PART#:

OST-111

WEIGHT/FT

SIZE

MATERIAL

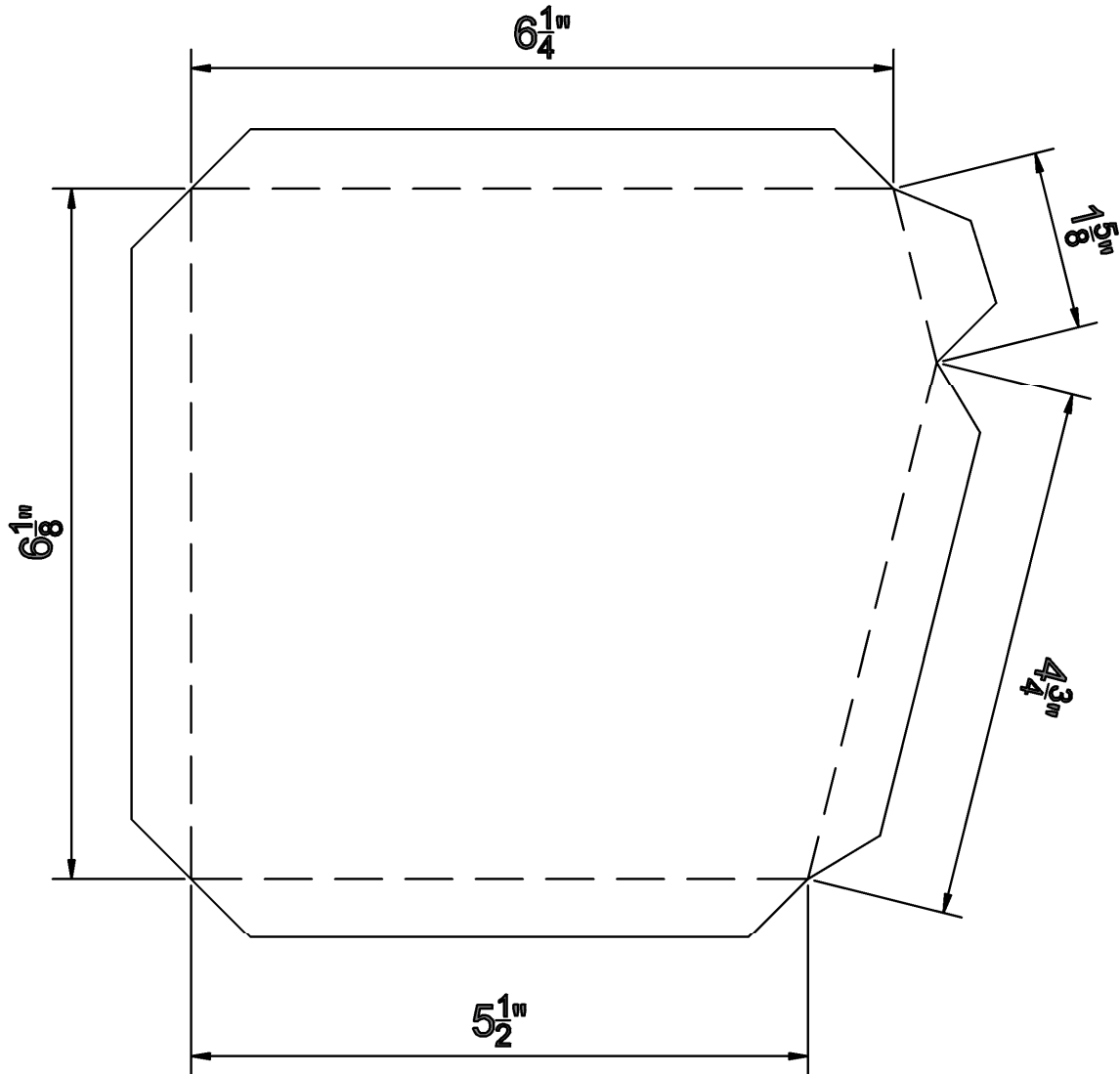
DESCRIPTION

0.35 lbs

SEE BELOW

26 ga.

SS GUTTER END



REVISIONS

KEY USES

SS GUTTER

DETAILER: DU

CHECKER: JG

DATE: APRIL 2024



7821 CLARKS MILL ROAD
LOUISVILLE, GA. 30434
PHONE: 844-GO-OSTRO
FAX: 478-625-3261

PART#:

OST-112

WEIGHT/FT

SIZE

MATERIAL

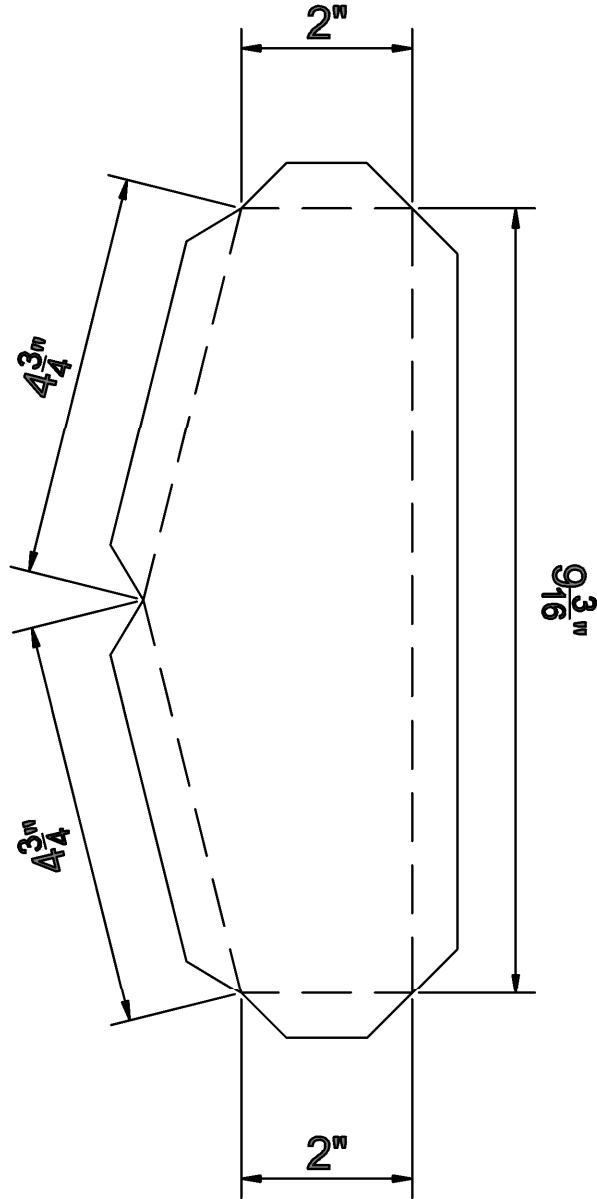
DESCRIPTION

0.17 lbs

SEE BELOW

26 ga.

SS RAKE END



REVISIONS

KEY USES

SS ROOF WITH
RAKE TRIM

DETAILER: DU

CHECKER: JG

DATE: APRIL 2024



7821 CLARKS MILL ROAD
LOUISVILLE, GA. 30434
PHONE: 844-GO-OSTRO
FAX: 478-625-3261

PART#:

OST-113

WEIGHT/FT

SIZE

MATERIAL

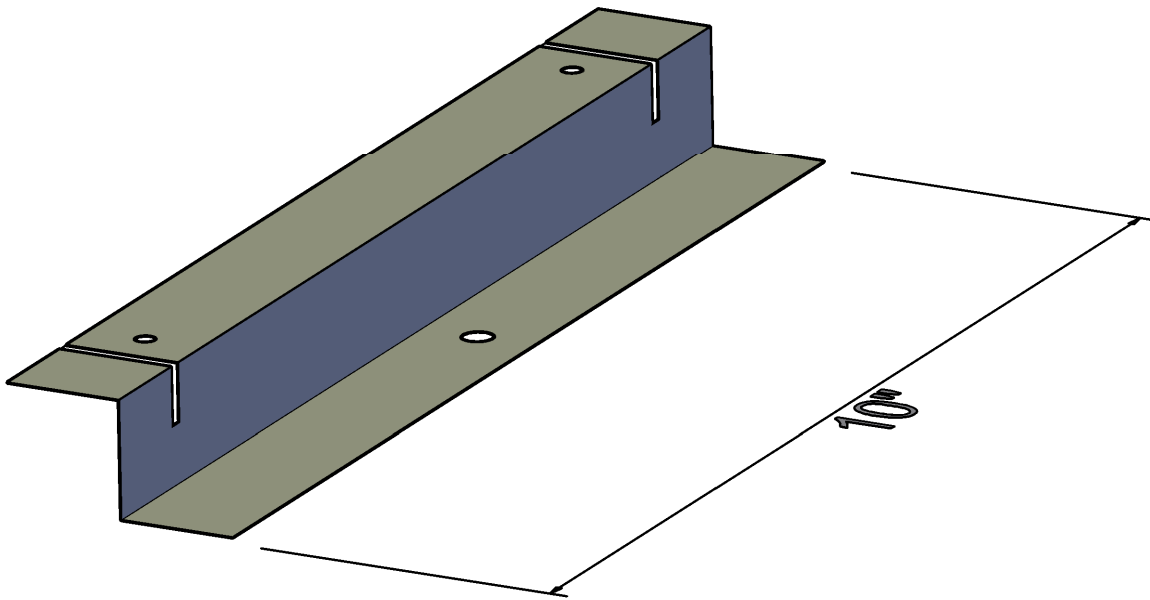
DESCRIPTION

0.16 lbs

3"

26 ga.

SS GUTTER STRAP



REVISIONS

KEY USES

SS HANG-ON GUTTER

DETAILER: DU

CHECKER: JG

DATE: APRIL 2024



7821 CLARKS MILL ROAD
LOUISVILLE, GA. 30434
PHONE: 844-GO-OSTRO
FAX: 478-625-3261

PART#:

OST-114

WEIGHT/FT

SIZE

MATERIAL

DESCRIPTION

1.00 lbs

21 1/2" - 23 1/2"

26 ga.

SS FLOATING RIDGE CAP

RIDGE PITCH

X°

A

1/2:12

4.77°

6 1/2"

1:12

9.53°

6 1/2"

2:12

18.92°

6 1/2"

3:12

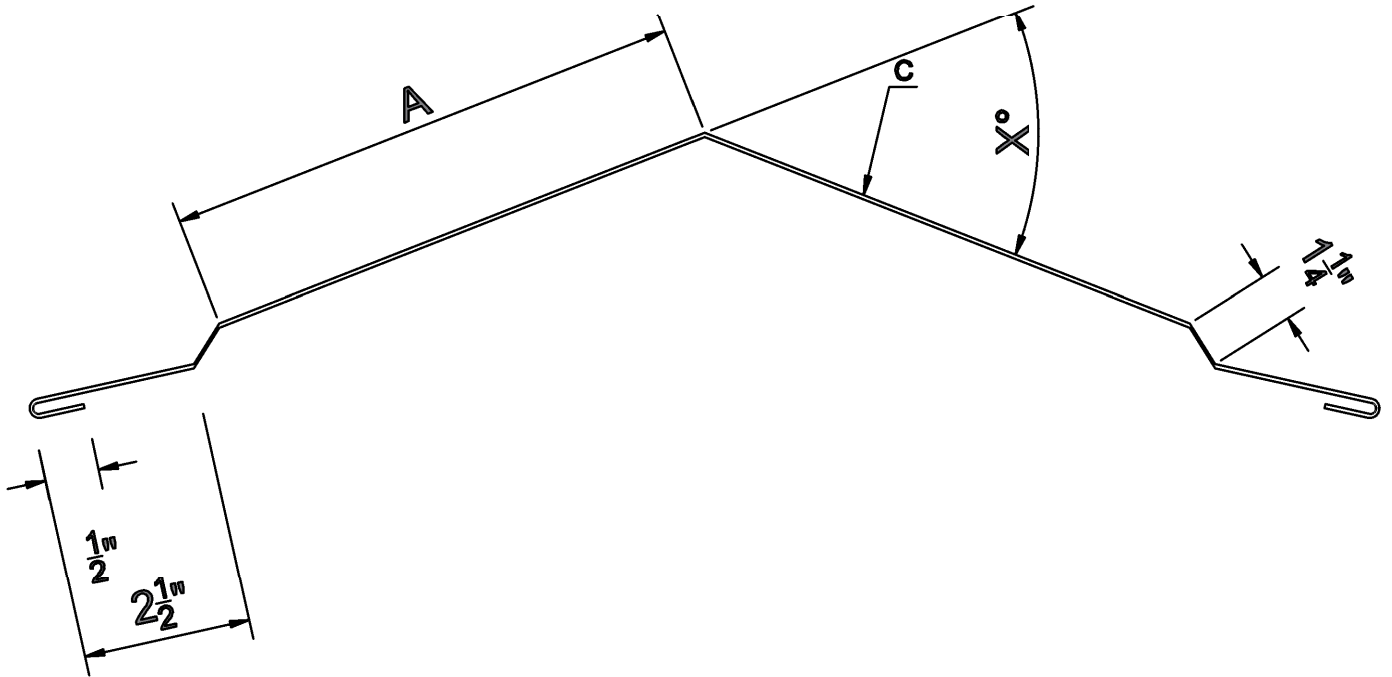
28.07°

7 1/2"

4:12

36.87°

7 1/2"



REVISIONS

KEY USES

SS FLOATING ROOF @ RIDGE

DETAILER: DU

CHECKER: JG

DATE: APRIL 2024



7821 CLARKS MILL ROAD
LOUISVILLE, GA. 30434
PHONE: 844-GO-OSTRO
FAX: 478-825-3261

PART#:

OST-115

WEIGHT/FT

SIZE

MATERIAL

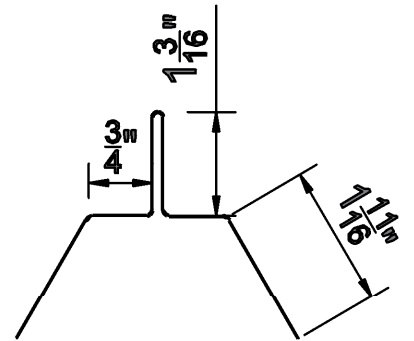
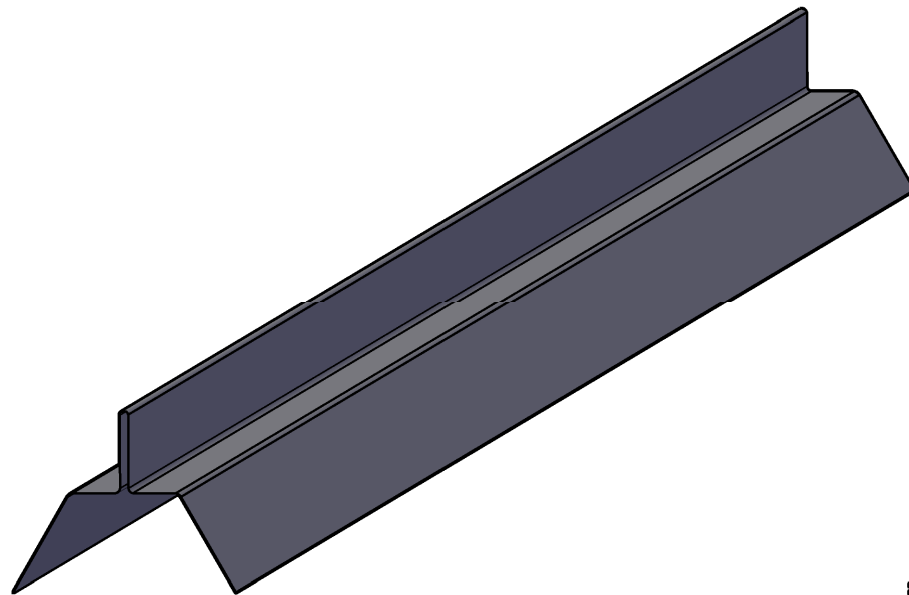
DESCRIPTION

0.24 lbs

3 5/8"

26 ga.

SS REPAIR CAP



REVISIONS

KEY USES

SS ROOF SPLICE REPAIR

DETAILER: DU

CHECKER: JG

DATE: APRIL 2024



7821 CLARKS MILL ROAD
LOUISVILLE, GA. 30434
PHONE: 844-GO-OSTRO
FAX: 478-625-3261

PART#:

OST-116

WEIGHT/FT

SIZE

MATERIAL

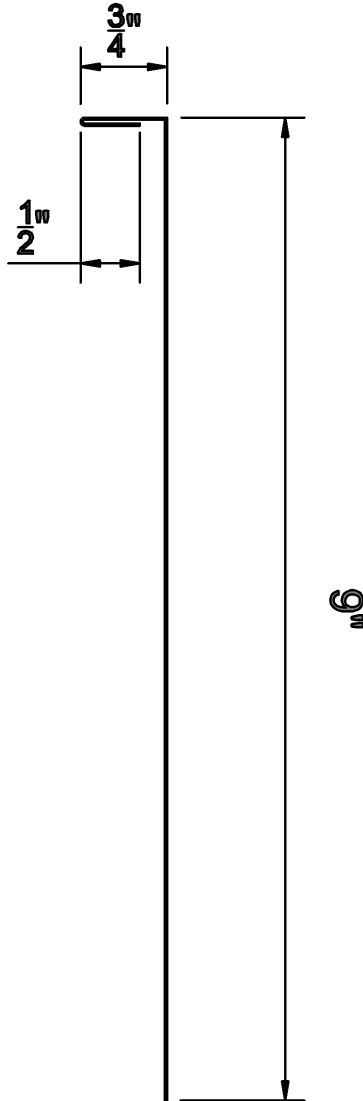
DESCRIPTION

0.70 lbs

10 1/4"

26 ga.

Termination Trim



REVISIONS

KEY USES

SS ROOF TERMINATION
